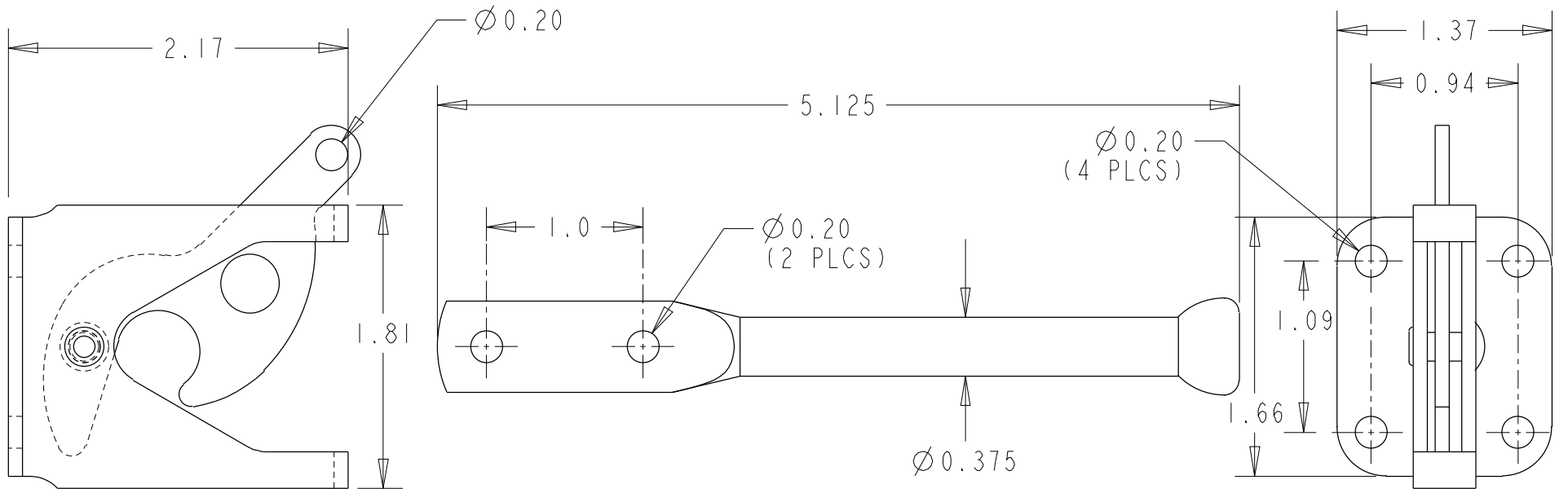
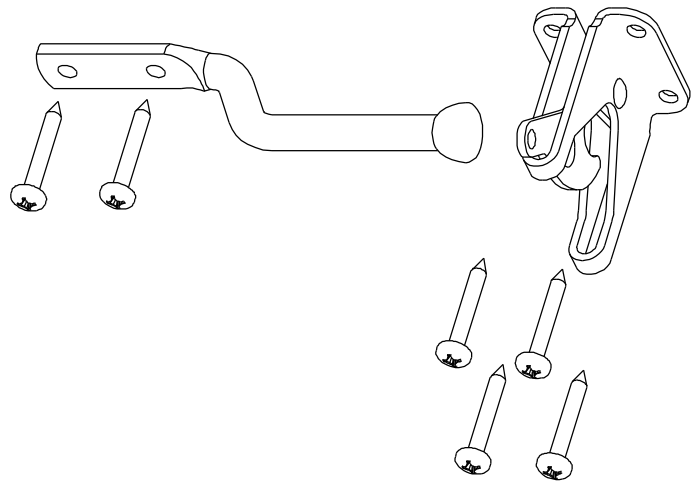


CONTENTS	QTY.
CASE; STANLEY 1261	1
CATCH; STANLEY 1261	1
RIVET; STANLEY 1261	1
LATCH BAR; D&D 210001	1
SCREW, #10 X 1-1/4" PAN HD	6



NOTES:

1. DIMENSIONS SHOWN ARE NOMINAL.
2. FASTENERS MUST BE HPC SEAL COATED WITH BLACK POWDERCOATED HEADS PER APPROVED SAMPLE.

PRODUCT SAME AS STANLEY 814002 EXCEPT BAR LENGTH.  
 FINISH: ID; BLACK POWDERCOAT PER APPROVED SAMPLE.

D&D 210001 GATE LATCH