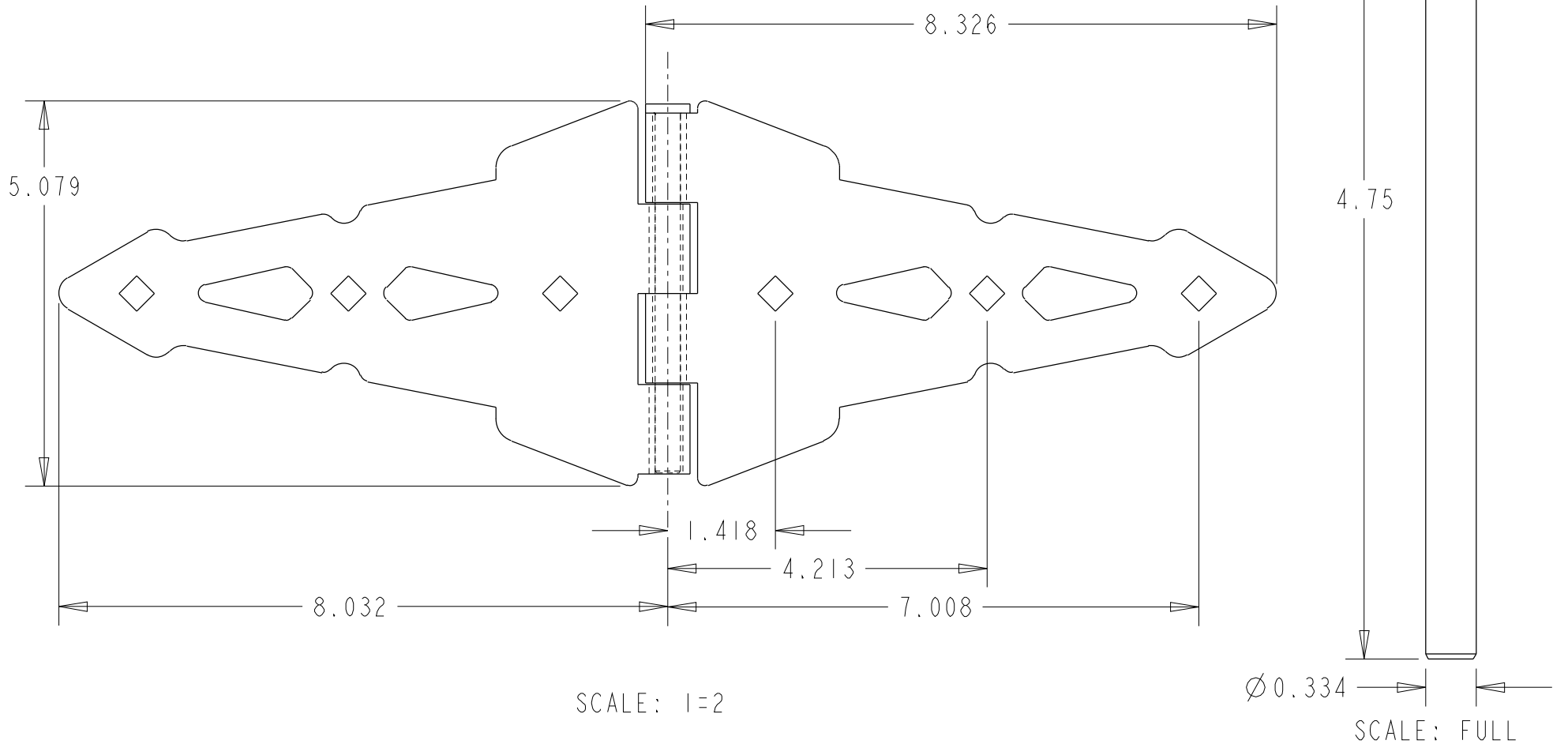


CONTENTS	QTY.
HINGE STRAP; POWDER COATED BLACK	4
HINGE PIN, $\varnothing 8.5$ mm X 4.75" LONG	2
SCREWS, 5/16" X 2" HEX HEAD LAG	12
POLY BAG WITH PRINTED INSTRUCTIONS	1



6 SCREWS PER HINGE

310008



SCALE: 1=2

SCALE: FULL

NOTES:

1. DIMENSIONS SHOWN ARE NOMINAL.
2. FASTENERS MUST BE HPC SEAL COATED WITH BLACK POWDERCOATED HEADS PER APPROVED SAMPLE.

NOTES:

1. HINGE MATERIAL: 0.094" LOW CARBON STEEL.
2. HINGE PIN TO BE LUBRICATED WITH APPROVED GREASE.

REVISED 12/04/2009, JDG

D&D 310008 STRAP HINGE