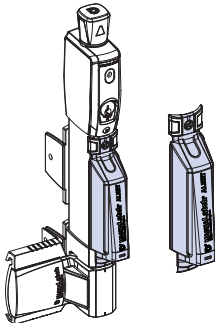
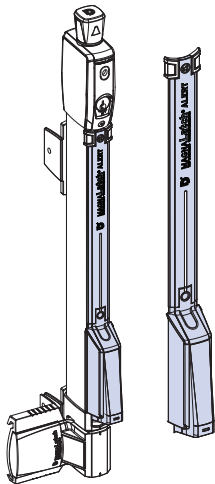




Child Safety Gate Latch With Electronic Alarm System

# OWNER'S MANUAL

*MANUAL DEL PROPIETARIO*





**IMPORTANT:** This manual contains important information regarding the operation of your MagnaLatch® ALERT gate alarm. Ensure you read this manual fully before installing and operating the alarm. **If you are installing this gate alarm for use by others, you must leave this Manual (or a copy of it) with the end user.**



**IMPORTANT:** 3.6V Lithium Thionyl Chloride Battery (Li-SOCl<sub>2</sub>) supplied. Battery type ER14250 - 1/2 AA (3.6V). Fire, explosion & severe burn hazard. Do not recharge, crush, disassemble, heat above 100°C (212°F) or expose contents to water.



**IMPORTANT:** Always check your local swimming pool Standards/Codes before installing the MagnaLatch® ALERT onto a pool fence.



**IMPORTANT:** Never ignore the alarm. Ignoring the alarm may result in injury or death.

**NOTE:** MagnaLatch® ALERT is designed to fit and work with MagnaLatch “Series 3” Top Pull and Vertical Pull models only. See installation instructions provided with the product. The MagnaLatch® ALERT will **NOT** fit or work on any other gate latch or previous model of MagnaLatch®.

# CONTENTS

1	INTRODUCTION	4	3.5	DISARMING THE ALERT TEMPORARILY - OPTIONAL	11
1.1	SCOPE	4	3.6	OPERATIONAL SEQUENCE	12
1.2	PURPOSE	4	3.7	CHANGING THE BATTERY	13
2	SYSTEM DESCRIPTION	4	3.8	DISPOSAL OF BATTERIES	13
2.1	SPECIFICATION	4	3.9	ENVIRONMENTAL PROTECTION	13
2.2	ELECTRICAL DATA	5	4	STATEMENTS OF COMPLIANCE	14
2.3	ENVIRONMENT	5	5	FREQUENTLY ASKED QUESTIONS	15
2.4	STANDARDS	5	6	TROUBLESHOOTING	16
3.1	ATTACHING ALERT TO LATCH BODY	6	7	POOL SAFETY INFORMATION	17
3.2	INSTALLATION	7	8	CLEANING & MAINTENANCE	17
3.3	POWERING UP	7	9	POOL SAFETY RESOURCES	18
3.3	POWERING UP - CONTINUED	8	10	WARRANTY	19
3.4	ACTIVATING THE DISARM FEATURE ON ALERT - OPTIONAL	9		CONTACT	22
3.4	ACTIVATING THE DISARM FEATURE ON ALERT - OPTIONAL (CONT)	10			

For a French version of this manual, go to [www.ddtechglobal.com](http://www.ddtechglobal.com)

## 1 INTRODUCTION

### 1.1 SCOPE

Congratulations on purchasing a MagnaLatch® ALERT gate alarm. The MagnaLatch® ALERT is a sensor with audible and visual signals to alert that a gate has been opened and remains unlatched. It is ideal for a location where children need to be protected, such as a play area or swimming pool.

### 1.2 PURPOSE

The purpose of this guide is to provide information for the installer and user of the MagnaLatch®ALERT to ensure that the product operates and functions correctly for many years.



**IMPORTANT:** The MagnaLatch®ALERT is intended only to signal that the latch is not fully engaged and providing its intended protection. It is NOT to be used as a substitute for adult supervision.

## 2 SYSTEM DESCRIPTION

### 2.1 SPECIFICATION

Peak Alarm Sound Level (@ source) 91 dB  
Peak Alarm Sound Level (@ 3m/10feet): 70 dB

Alarm Sound Frequency: 2.5 - 5 kHz  
Tested and rated to IP55



**WARNING:** The alarm is very loud. Never hold the alarm next to ears, as it may affect hearing.

## 2.2 ELECTRICAL DATA

**Power Source Supplied:** Lithium Thionyl Chloride Battery (Li-SOCl<sub>2</sub>).

**Battery Type:** ½ AA (3.6V). For best results, use type ER14250.

**Battery Life Expectancy (usage):** 3.6V Lithium batteries are designed for long life. As with any battery used outdoors, environmental conditions can effect their performance and longevity.

**NOTE:** If the ALERT has not been used for long periods of time, follow the instructions in section 3.3 on Powering Up.

**LOW BATTERY WARNING:** Alarm unit will emit a “ramp-down” sound when gate is opened, and will repeat each time until the battery is replaced or completely dead.

## 2.3 ENVIRONMENT

**OPERATING TEMPERATURE:** -20°C to 60°C (-4°F to 140°F).

## 2.4 STANDARDS

**EU EMC Directive EN 61000-6-3:2007:**

Radiated disturbance - 30 MHz to 1000 MHz

**EU EMC Directive EN 61000-6-1:2007:**

EN 61000-4-2 - Electrostatic discharge (ESD)

EN 61000-4-3 - RF radiated susceptibility

EN 61000-4-8 - Magnetic field immunity

EMC Framework to AS/NZS 61000.6.3:2007.

**AS1217.5** – “Acoustics Determination of sound power levels of noise sources”

**AS1926-1 2012** - “Strength & Durability, Closing And Latching And Security of Closure of Gate Units”

**USA:** FCC Part 15 (B) Class B (ANSI C63.4:2003)  
- “Reasonable protection against harmful interference”

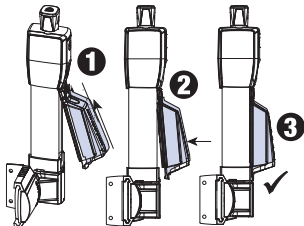
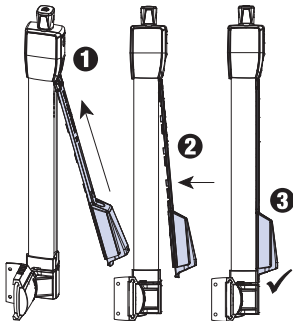
## 3 INSTALLATION & OPERATION

### 3.1 ATTACHING ALERT MODULE TO LATCH BODY

(Note: MagnaLatch® installation instructions are included separately and are not inside this manual.)

#### TOP PULL

#### VERTICAL PULL



1. Slide top of ALERT Module underneath top housing.
2. Snap into place starting at the top.
3. Snap bottom section into place. Ensure ALERT is fully snapped into place at all positions.

## 3.2 INSTALLATION

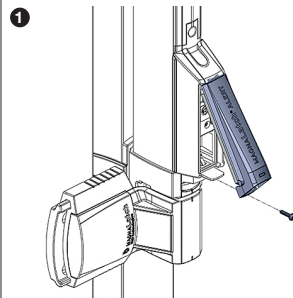
MagnaLatch® ALERT is designed to fit and work with MagnaLatch "Series 3" Top Pull and Vertical Pull models only. See installation instructions provided with the product.

**NOTE:** MagnaLatch® ALERT will **NOT** fit or work on any other gate latch or previous model of MagnaLatch®.

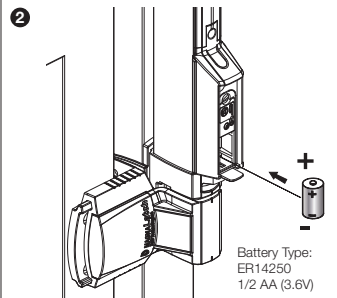
## 3.3 POWERING UP

1. Remove screw and front cover by using a #1 Phillips-head screwdriver.

**DO NOT** lose the screw.



2. Insert battery as indicated into the battery compartment with the (+) symbol on top and the (-) on the bottom.

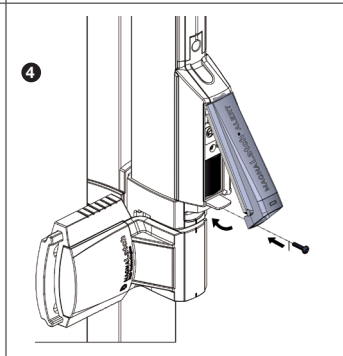
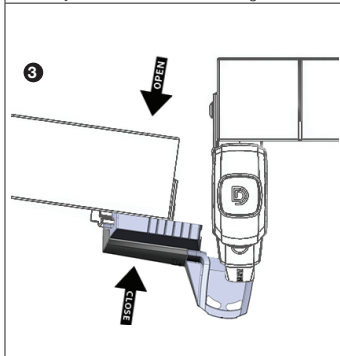


### 3.3 POWERING UP - CONTINUED

3. Open & close the gate 5 times to calibrate the system. This will also ensure the battery operates at peak performance (see section 2.2).

**NOTE:** A false sounding of a low battery (ramp down) may occur during the calibration process. If this continues, replace with new battery or contact D&D Technologies.

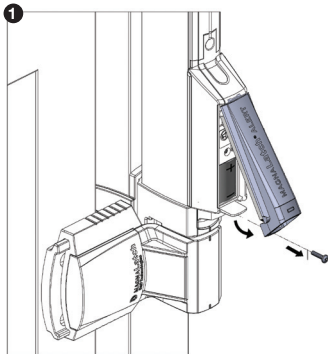
4. Re-attach front cover and screw by using #1 Phillips-head screwdriver.





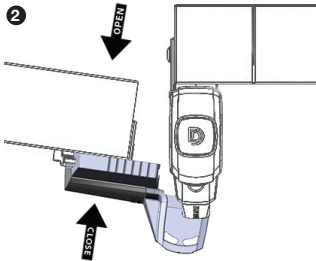
### 3.4 ACTIVATING THE DISARM FEATURE ON ALERT MODULE - OPTIONAL

1. Remove screw and front cover by using a #1 Phillips-head screwdriver.  
**DO NOT** lose the screw.



**NOTE:** Ensure battery is properly inserted with (+) symbol on top and (-) on bottom.

2. Open the gate. Gate must be open in order to activate the Disarm feature.



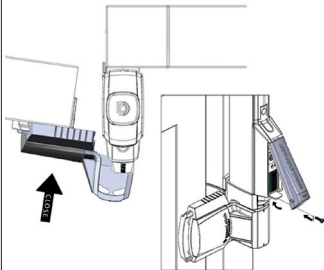
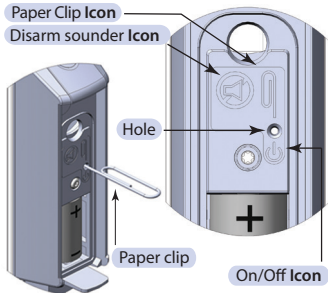
**NOTE:** The gate must be open whenever activating or deactivating the Disarm feature and when using the disarm feature itself.

**NOTE:** The ALERT comes from the factory with the Disarm feature de-activated.

### 3.4 ACTIVATING THE DISARM FEATURE ON ALERT - OPTIONAL (CONT)

1. Insert a paper clip into the hole located between the paper clip icon and On/Off symbol. Press once to activate the Disarm feature. A "ramp-up" sound will be heard.

2. Close the gate and re-attach the front cover with screw using a #1 Phillips-head screwdriver.



**NOTE:** If paper clip is pressed twice, a "ramp-down" sound will be heard, indicating the Disarm feature has been de-activated.

**NOTE:** The gate must be open whenever activating or de-activating the Disarm feature, and when using the Disarm feature.

### 3.5 DISARMING THE ALERT TEMPORARILY - OPTIONAL

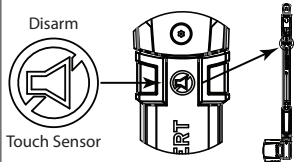
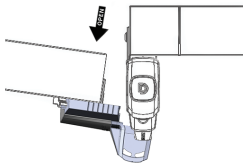
1. To temporarily disarm the ALERT for a maximum of 15 minutes, open the gate and hold open until the second beep sounds.

**NOTE:** Do not wear gloves when disarming. The Disarm Sensor is touch-sensitive to skin only.

**NOTE:** Closing and latching the gate at any time will re-arm the ALERT Module.

2. Place finger on top of the Disarm Sensor and hold for 5 seconds. You will then hear 4 beeps followed by a “ramp-up” sound.

**NOTE:** The ALERT is now de-activated for up to 15 minutes as long as the gate is held open. After 15 minutes, or if closing the gate at any time, the ALERT Module will re-arm itself.



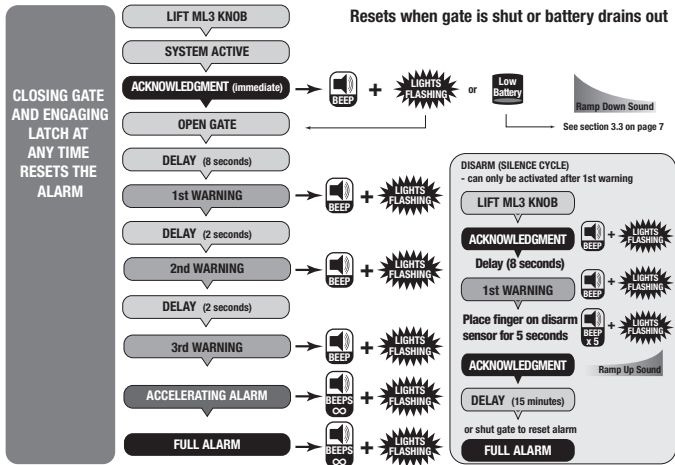
**NOTE:** The Disarm Sensor is touch sensitive and does not require to be pushed inward. It responds to contact with your skin and will not operate when wearing gloves.



**WARNING: DO NOT disarm the ALERT on a pool or spa gate. Activating the Disarm feature and using it is the sole responsibility of the user and not the manufacturer.**

**STOPPING THE ALARM** - Closing and latching the gate will silence the alarm.

### 3.6 OPERATIONAL SEQUENCE



### 3.7 CHANGING THE BATTERY

When the battery strength goes below an acceptable level, a “ramp-down” sound will occur every time the gate is opened. When replacing the battery, refer to section 3.3. For best results, use battery type ER14250 (1/2 AA - 3.6V)

### 3.8 DISPOSAL OF BATTERIES

**AU/NZ/EU:** Do not dispose of batteries in household waste. Please return to point of purchase or appropriate battery collection centre for recycling. For recycling locations in Australia, go to [www.recyclingnearyou.com.au](http://www.recyclingnearyou.com.au)

**US/CA:** Do not dispose of batteries in household waste. All Lithium Thionyl Chloride batteries (Li-SOCl<sub>2</sub>) should be given to an appropriate household hazardous waste facility for recycling.

### 3.9 ENVIRONMENTAL PROTECTION




Waste electrical products should not be disposed of with household waste. Please recycle where facilities exist. Check with your Local Authority or retailer for recycling advice.



**WARNING:** The alarm is very loud. Never hold the alarm next to ears, as it may affect hearing.


#### 4 STATEMENTS OF COMPLIANCE

 Compliance Testing Report of a Pool Fence Alarm to FCC Part 15 (B) Class B (ANSI C63.4:2003)  
This device complies with Part 15 of the FCC Rules. Operation is subject to the following two conditions: (1) this device may not cause harmful interference, and (2) this device must accept any interference received, including interference that may cause undesired operation.

**NOTE:** This equipment has been tested and found to comply with the limits for a Class A digital device, pursuant to part 15 of the FCC Rules. These limits are designed to provide reasonable protection against harmful interference when the equipment is operated in a commercial environment. This equipment generates, uses, and can radiate, radio frequency energy, and, if not installed and used in accordance with the instruction manual, may cause harmful interference to radio communications. Operation of this equipment in a residential area may cause harmful interference, in which case the user will be required to correct the interference at their sole expense.

**NOTE:** This equipment has been tested and found to comply with the limits for a Class B digital device, pursuant to part 15 of the FCC Rules. These limits are designed to provide reasonable protection against harmful interference in a residential installation. This equipment generates, uses and can radiate, radio frequency energy, and, if not installed and used in accordance with the instructions, may cause harmful interference to radio communications. However, there is no guarantee that interference will not occur in a particular installation.

 Compliance of a Pool Fence Alarm with the EU EMC Directive and Australian EMC Framework **EN 61000-6-3:2007** and immunity to **EN 61000-6-1:2007**. Satisfied the requirements of the Australian EMC Framework to AS/NZS 61000.6.3:2007.

 **Responsible supplier name:** D&D Technologies Pty. Limited  
**Responsible supplier number:** E1838 ABN/IRDN: 94059412430  
NATA Certified compliance to AS1926-1 2012 - "Strength & Durability, Closing and Latching and Security of Closure of Gate Units." For copy of NATA test results, please contact D&D Technologies.

## 5 FREQUENTLY ASKED QUESTIONS

1	How does extreme weather and long periods of non-usage effect the battery?	Lithium batteries are designed for long life, but as with any battery used outdoors, environmental conditions and long periods of non-usage can effect their life-span. See section 3.3 on Powering Up.
2	How will I know if the battery is low?	A unique downward chirping sound will occur each time the gate is opened, indicating the battery is running low.
3	Where do I purchase a new battery?	You can purchase a new battery from any leading electronics store or on the internet. Order battery type 14250 (1/2 AA 3.6V).
4	If I remove the battery or it loses power, will my MagnaLatch® still work as a safety gate latch?	Yes, the MagnaLatch® will still latch independently.
5	Can I re-program my MagnaLatch® ALERT?	No, programming cannot be changed. You can only temporarily turn off the alarm using the Disarm feature (Sections 3.4-3.6).
6	Do I have to activate the Disarm feature?	No, the Disarm feature is optional. <u>Do not disarm the ALERT when using on swimming pool/spa gates.</u> The Disarm feature comes de-activated from the factory.
7	Can I turn off my MagnaLatch® ALERT (sound & flashing light)?	You can disarm the ALERT sound for short periods only. <u>Do not disarm the ALERT when using on swimming pool gates,</u> as this presents a danger to children. See sections 3.4 to 3.6.
8	How do I refit the MagnaLatch®ALERT Electronic unit onto my MagnaLatch®?	Refer to Section 3.1. in the operation guide.
9	Will rain or snow damage the electronics or cause it to malfunction?	No, the MagnaLatch® ALERT has been designed for outdoor use. For more information refer to section 2.3 in the operation guide.
10	What does my Warranty cover?	The MagnaLatch® gate latch comes with a limited Lifetime Warranty. The ALERT alarm unit comes with a 2-Year limited Warranty from the date of purchase. No warranty on battery (refer to Section 10.)

## 6 TROUBLESHOOTING

	<b>Problem</b>	<b>Solution</b>
1	My gate is closed but the alarm won't stop.	Be sure your MagnaLatch® ALERT is properly aligned and securely latched. See MagnaLatch® ALERT installation instructions.
2	My disarm touch sensor isn't working.	The Disarm feature comes de-activated from the factory. To activate, refer Section 3.4.
3	The alarm is making a downward chirping sound; what does this mean?	The battery is low and time to replace. Refer Section 3.3.
4	My alarm is not as loud as when first purchased.	The battery cover (or horn) may be blocked with debris. Remove cover and clean opening of any debris that may impede sound of alarm. Then replace cover (see section 3.3).
5	What if I tried everything but my MagnaLatch® ALERT is still not working properly?	Contact D&D Technologies. See back page of this manual for contact information.



## 7 POOL SAFETY INFORMATION

As the founding sponsor of the National Drowning Prevention Alliance ([www.NDPA.org](http://www.NDPA.org)) and the makers of the MagnaLatch® magnetic, self-latching gate latch and TruClose®, self-closing hinges, D&D Technologies is committed to supporting efforts to prevent toddler drowning worldwide.

Always consult with local officials for pool barrier Standards/Codes in your area. For more information on D&D's products visit our website [www.ddtechglobal.com](http://www.ddtechglobal.com)

In the interest of public safety, D&D developed the "Blueprint for Pool Gate Safety," as a checklist and guide to help ensure your pool fence and gate meet pool barrier Standards/Codes. For a free copy of this brochure, go to our website at [www.ddtechglobal.com](http://www.ddtechglobal.com) or contact the D&D Technologies' office in your region (see back page for locations).

## 8 CLEANING & MAINTENANCE

Always ensure the gate is self-closing and self-latching properly. Refer to hinge and latch installation instructions for the proper adjustment procedures.

Always keep your MagnaLatch® ALERT clean and free of debris that may impair performance.

**DO NOT** use any abrasive or harsh chemicals when cleaning.

**DO NOT** use a pressure hose to clean.

## 9 POOL SAFETY RESOURCES

<b>USA</b>	
American Academy of Pediatrics	<a href="http://www.aap.org">www.aap.org</a>
American Red Cross	<a href="http://www.redcross.org">www.redcross.org</a>
APSP, the pool industry's association	<a href="http://www.theapsp.org">www.theapsp.org</a>
Arizona codes	<a href="http://www.childrensafetyzone.com">www.childrensafetyzone.com</a>
Consumer Product Safety Commission	<a href="http://www.poolsafety.gov">www.poolsafety.gov</a>
Drowning Prevention Coalition of Arizona	<a href="http://www.preventdrownings.org">www.preventdrownings.org</a>
National Drowning Prevention Alliance	<a href="http://www.NDPA.org">www.NDPA.org</a>
Safe Kids (search under drowning)	<a href="http://www.usa.Safekids.org">www.usa.Safekids.org</a>
<b>AUSTRALIA &amp; NEW ZEALAND</b>	
Kids Alive	<a href="http://www.kidsalive.com.au">www.kidsalive.com.au</a>
Kidsafe	<a href="http://www.kidsafensw.org">www.kidsafensw.org</a>
Royal Life Saving Society (RLSSA)	<a href="http://www.royallifesaving.com.au">www.royallifesaving.com.au</a>
Safewaters (NSW Govt)	<a href="http://www.watersafety.nsw.gov.au">www.watersafety.nsw.gov.au</a>
Water Safety NZ	<a href="http://www.watersafety.org.nz">www.watersafety.org.nz</a>
<b>EUROPE</b>	
AFNOR Groupe	<a href="http://www.afnor.fr">www.afnor.fr</a>
British Swimming Pool Federation	<a href="http://www.bspf.org.uk">www.bspf.org.uk</a>
Child Safety Europe	<a href="http://www.childsafetyeurope.org">www.childsafetyeurope.org</a>
International Life Saving Federation	<a href="http://www.europe.ilsf.org">www.europe.ilsf.org</a>
Swimming Pool Safety Guidelines	<a href="http://www.swimireland.ie">www.swimireland.ie</a>

## 10 WARRANTY - LIMITED LIFETIME WARRANTY & LIMITATION OF LIABILITY

### 1. GENERAL CONDITIONS

These Warranty conditions apply to all products manufactured by D&D Technologies (D&D) except MagnaLatch® ALERT Gate Alarm, KwikFit® Aluminium Gate Hinges, SureClose® Gate Closers & Hinges and D&D Stainless Steel Gate Latches and Hinges. See section 3 below for specific Warranty details applying to these four product lines.

**1.1** Subject to the conditions and limitations set out below, D&D Technologies (D&D) warrants that for so long as the original purchaser of a product manufactured by D&D owns that product (the Product) it will be free from all defects due to faulty design, materials or workmanship.

**1.2.** If a defect in the Product appears the purchaser must

advise D&D within 14 days of discovering the defect and return the defective item, comprising either the Product or a defective component of the Product (the Item), to D&D or its agent, freight prepaid, together with proof of purchase, whereupon D&D will, at its option and cost, repair or replace the defective Item with the same or an equivalent Product or component. D&D will not be liable for labour or any other costs associated with the dismantling, return or reassembly of the Product or any frame or structure to which it is affixed.

**1.3.** This warranty does not apply in respect of defects due to or arising from:

- (a) normal wear and tear;
- (b) the failure to follow any procedures specified or recommended by D&D for

the installation, operation, and maintenance of the Product;

(c) any act or circumstance beyond D&D's control including tampering, unauthorised repairs, misuse, abnormal use, abuse, accident, damage after delivery to the consumer, damage caused by events beyond human control including but not limited to damage caused by animals or natural events, surface tarnishing and/or damage to components caused by corrosion or other environmental conditions;

(d) any defect of or in any framework or material supporting the Product; or

(e) the faulty workmanship of any person other than D&D, including the installer of the Product.

**1.4.** This warranty is personal

## 10 WARRANTY - CONT.

to the original purchaser of the Product or to the first consumer where the Product has been installed by a contractor for the benefit of the consumer and may not be assigned without D&D's prior written consent.

**1.5.** This warranty gives you specific legal rights which are in addition to, and do not replace, other rights and remedies you may have at law and which may vary from state to state in your jurisdiction.

**1.6.** Except as expressly granted in this warranty or where to do so would contravene a law in the purchaser's jurisdiction D&D's liability as regards any contractor is limited in respect of all other loss, damage or injury of any kind whatsoever (including any direct, indirect or consequential loss or damage, loss of profits or loss of opportunity) arising

in connection with the Product, or the supply, condition or use of the Product, including as a result of any negligence, misrepresentation, or other default on the part of D&D, its officers, employees, agents or contractors or otherwise, to the value paid by the contractor for the Product giving rise to the loss, damage or injury.

For any specific questions about the D&D Technologies Warranty or to make a warranty claim, please visit our website at [www.ddtechglobal.com](http://www.ddtechglobal.com) to locate your nearest D&D Technologies office, or contact D&D Technologies in:

**AUSTRALIA:** on **1800 500 203** or **(02) 9454 7800.**

**Email:** [sales@ddtech.com.au](mailto:sales@ddtech.com.au)

**NORTH AMERICA:** on **(800) 716 0888** or **714 677 1300.**

**Email:** [info@ddtechusa.com](mailto:info@ddtechusa.com)

**EUROPE:** on **+31 (0)30 291 98 47.**

**Email:** [sales@ddtech.nl](mailto:sales@ddtech.nl)

**UNITED KINGDOM:** on **+31 (0)30 291 98 47.**

**Email:** [sales@ddtech.nl](mailto:sales@ddtech.nl)

### **2. JURISDICTION SPECIFIC WARRANTY DETAILS:**

The warranty details in this section apply to the jurisdictions identified below in addition to the conditions in section 1.

#### **2.1 Australia**

In Australia, the Product comes with guarantees that cannot be excluded under the Australian Consumer Law (the ACL). You are entitled to a replacement or refund for a major failure and compensation for any other reasonably foreseeable loss or damage. You are also entitled to have the Product repaired or replaced if the goods fail to be of acceptable quality and failure does not amount to

## 10 WARRANTY - CONT.

a major failure. To the extent permitted under the ACL and equivalent legislation, D&D's liability for failure to comply with the consumer guarantees under the ACL (other than sections 51, 52 and 53 of the ACL) in respect of the supply of Products not of a kind ordinarily acquired for personal, domestic or household use or consumption is limited at D&D's option, to:

(a) if the failure relates to the supply of goods, the replacement, repair or payment of the cost of replacement or repair of the goods; or,

(b) if the failure relates to the supply of services, the supply of those services again or the payment of the cost of having those services supplied again.

### 2.2 United Kingdom

In the United Kingdom, consumers purchasing the

Product have rights that cannot be excluded under the Consumer Contracts Regulations and the Consumer Rights Act.

### 2.3 Europe

In Europe, purchasers may have additional rights under the EU Regulations, EU Member State laws or directly applicable EU Directives.

### 2.4 North America

In North America, some States do not allow the exclusion or limitation of incidental or consequential damages, so the exclusion in 1.6 may not apply to purchasers in those States.

## 3. PRODUCT SPECIFIC WARRANTY DETAILS:

In addition to any rights or remedies expressly granted by law, D&D also offers the following product-specific warranties:

### 3.1 MagnaLatch® ALERT Gate Latch:

This Product has 3 components which attract the following different levels of warranty support:

#### (1) MagnaLatch® Mechanical

– limited Lifetime Warranty applies – see sections 1 and 2 (as applicable to your specific jurisdiction).

#### (2) ALERT Alarm & Electronics –

two (2) years after purchase – see section 3.2 below.

#### (3) Battery – no warranty applies.

### 3.2 ALERT Alarm & Electronics

D&D Technologies, at its discretion, will repair, replace or make appropriate adjustments where D&D Technologies' inspection discloses any such defects in the ALERT Alarm & Electronics defects occurring in normal usage as classified above within two (2) years after purchase.

Record your Warranty information here as a handy reference.

Date of purchase \_\_\_\_\_

Retailer where purchased \_\_\_\_\_

Country of purchase \_\_\_\_\_

Warranty registration card number  
(found on green card inside package) \_\_\_\_\_



[www.ddtechglobal.com](http://www.ddtechglobal.com)

AUSTRALIA	NORTH & SOUTH AMERICA	EUROPE
Telephone	Telephone	Telephone
1800 500 203 or (02) 9454 7800	(800) 716 0888 or (714) 677 1300	+31 (0)30 291 98 47
Email	Email	Email
<a href="mailto:sales@ddtech.com.au">sales@ddtech.com.au</a>	<a href="mailto:info@ddtechusa.com">info@ddtechusa.com</a>	<a href="mailto:sales@ddtech.nl">sales@ddtech.nl</a>