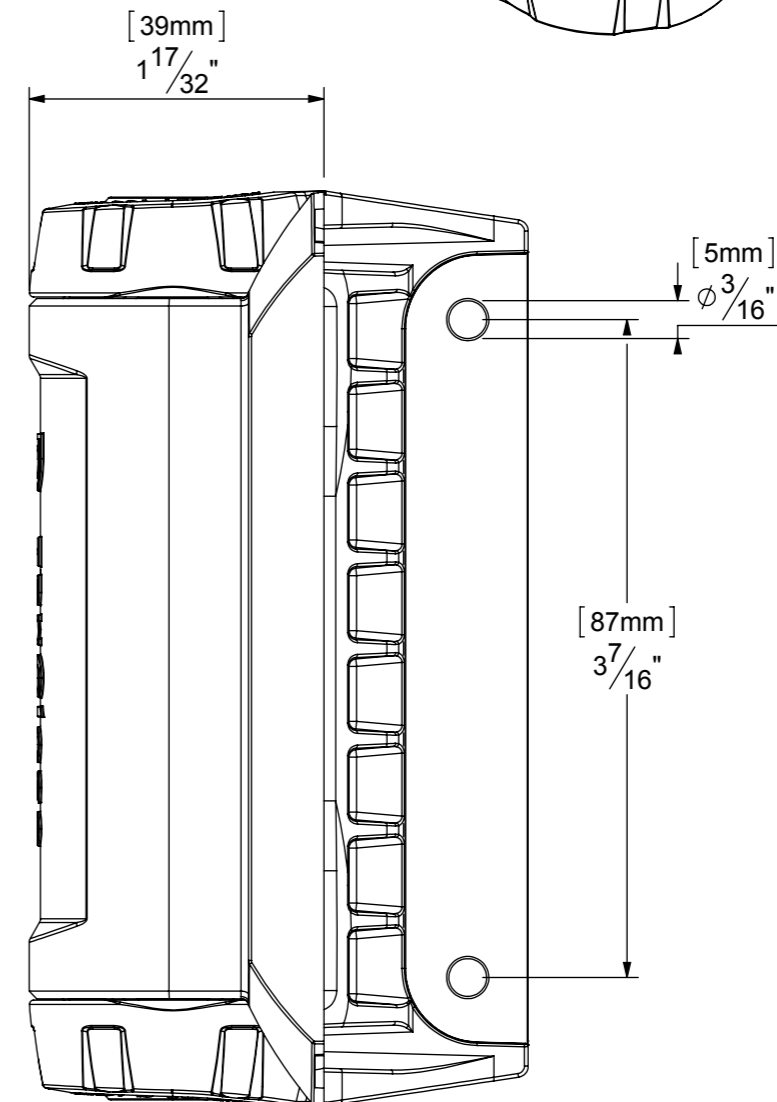
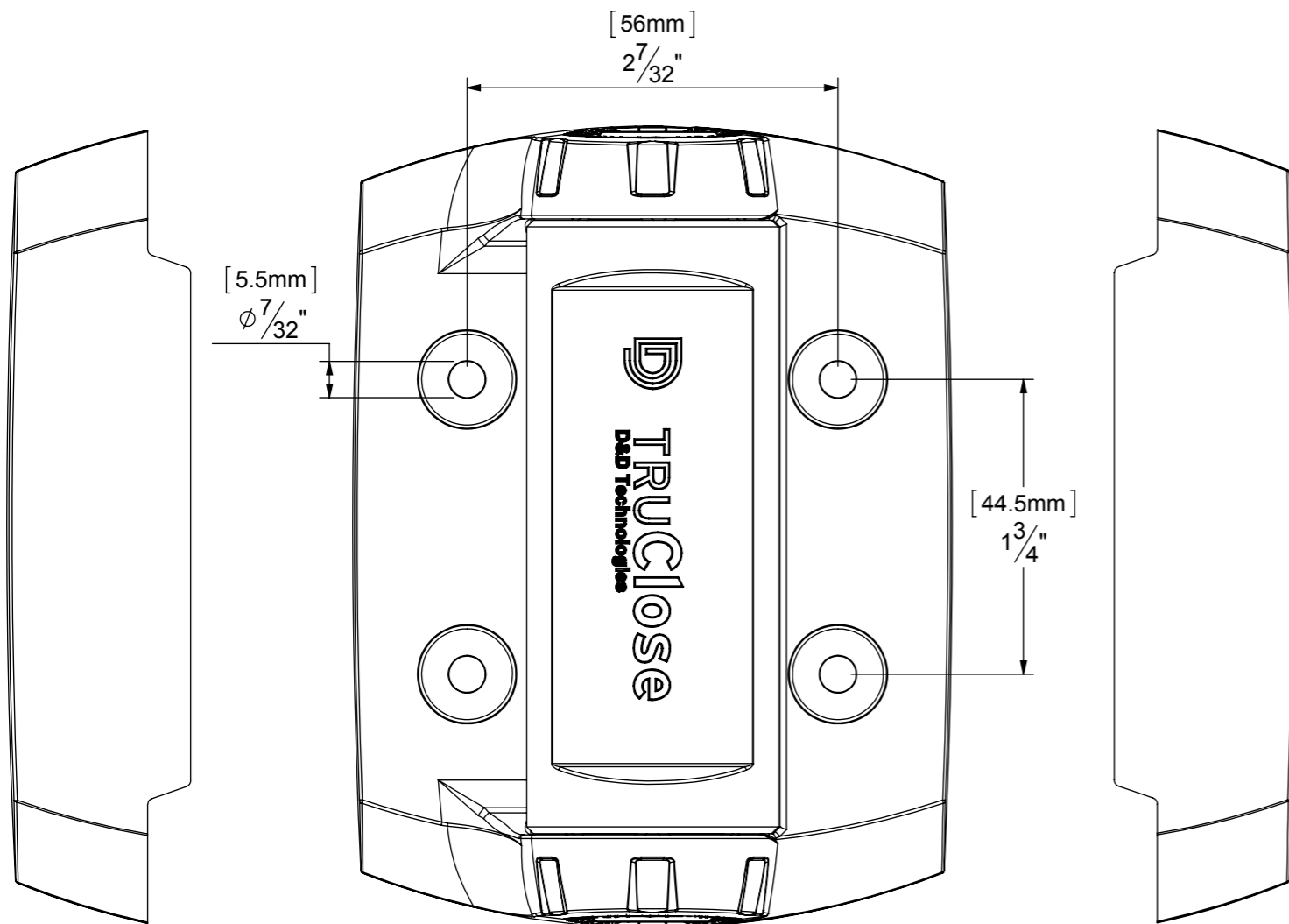
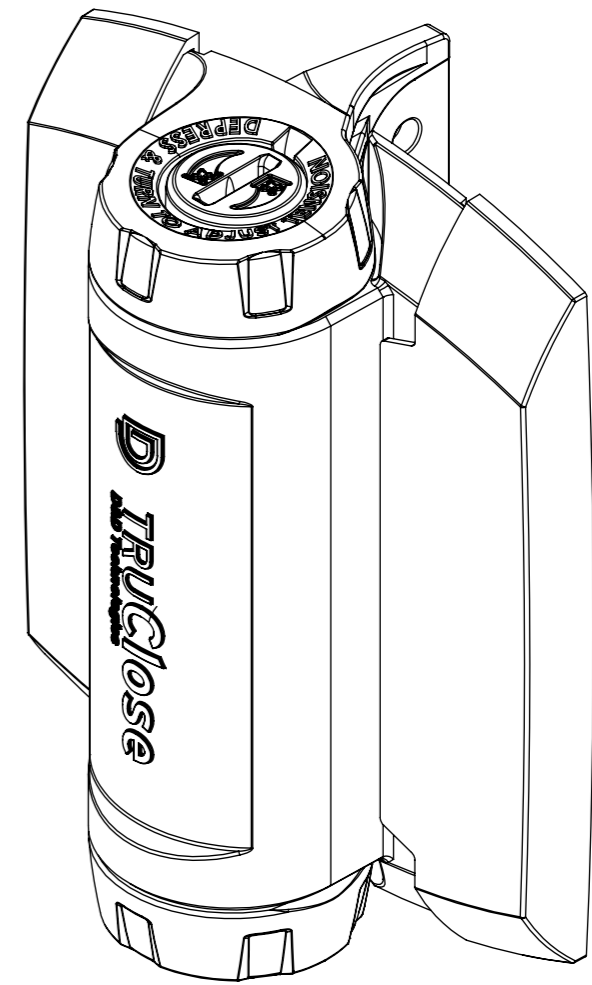
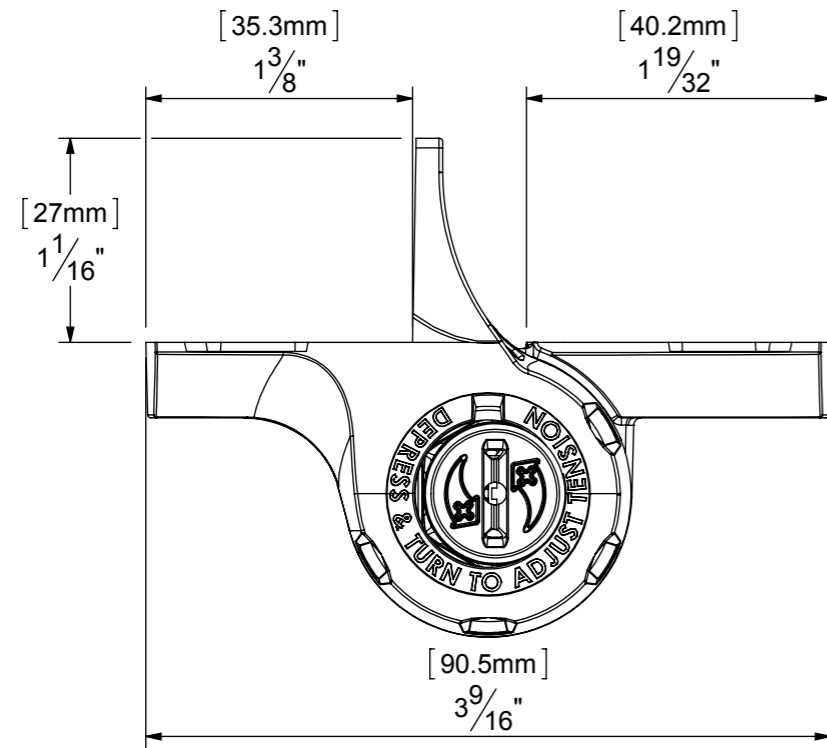
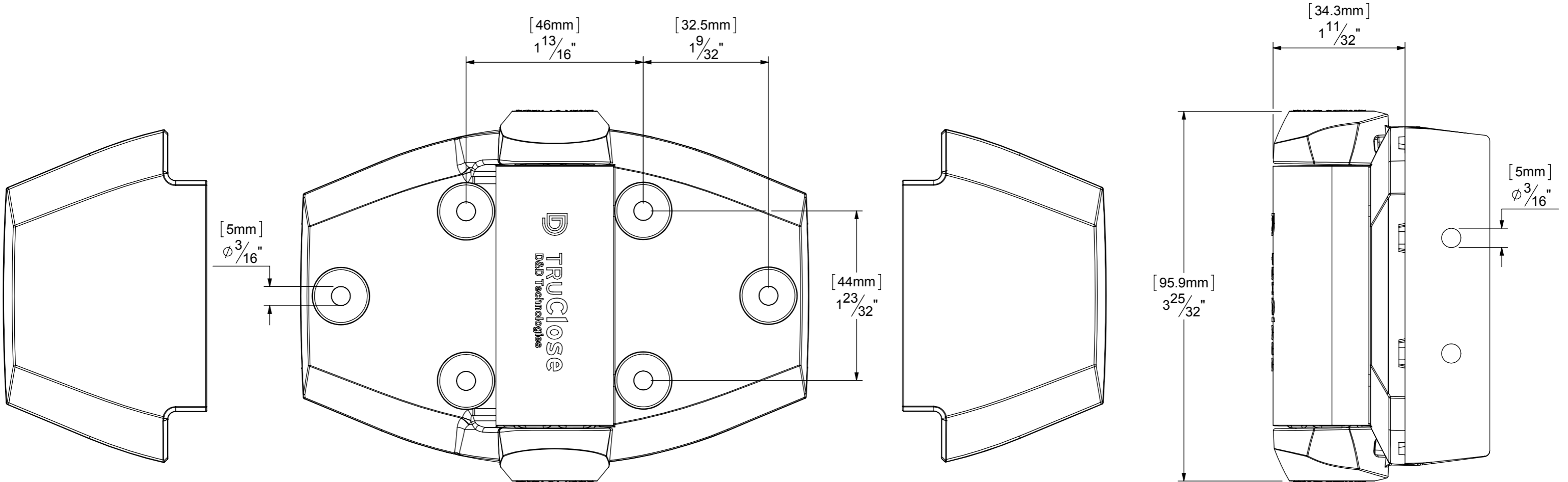
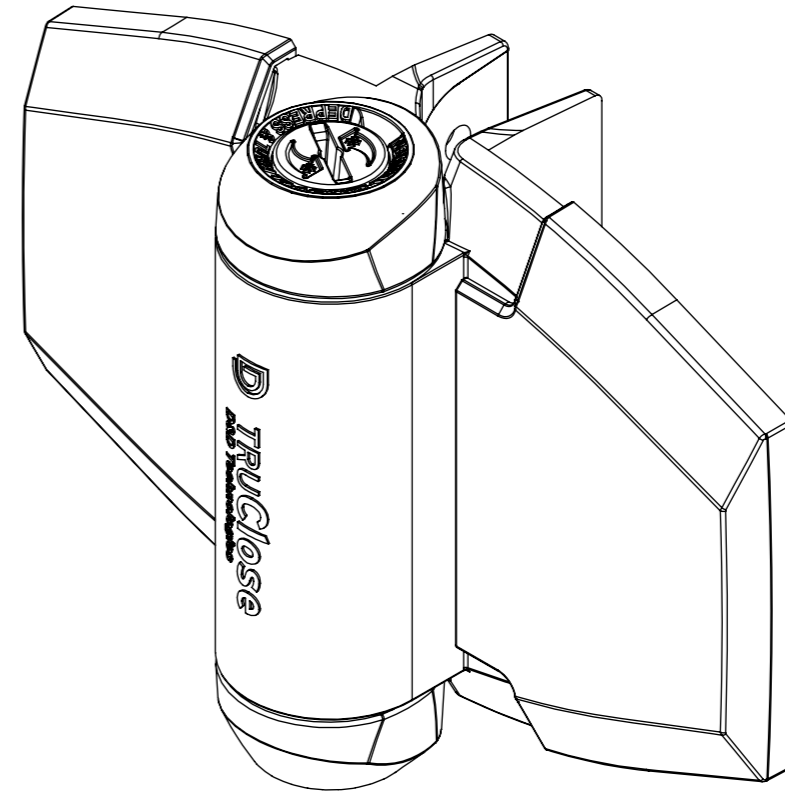
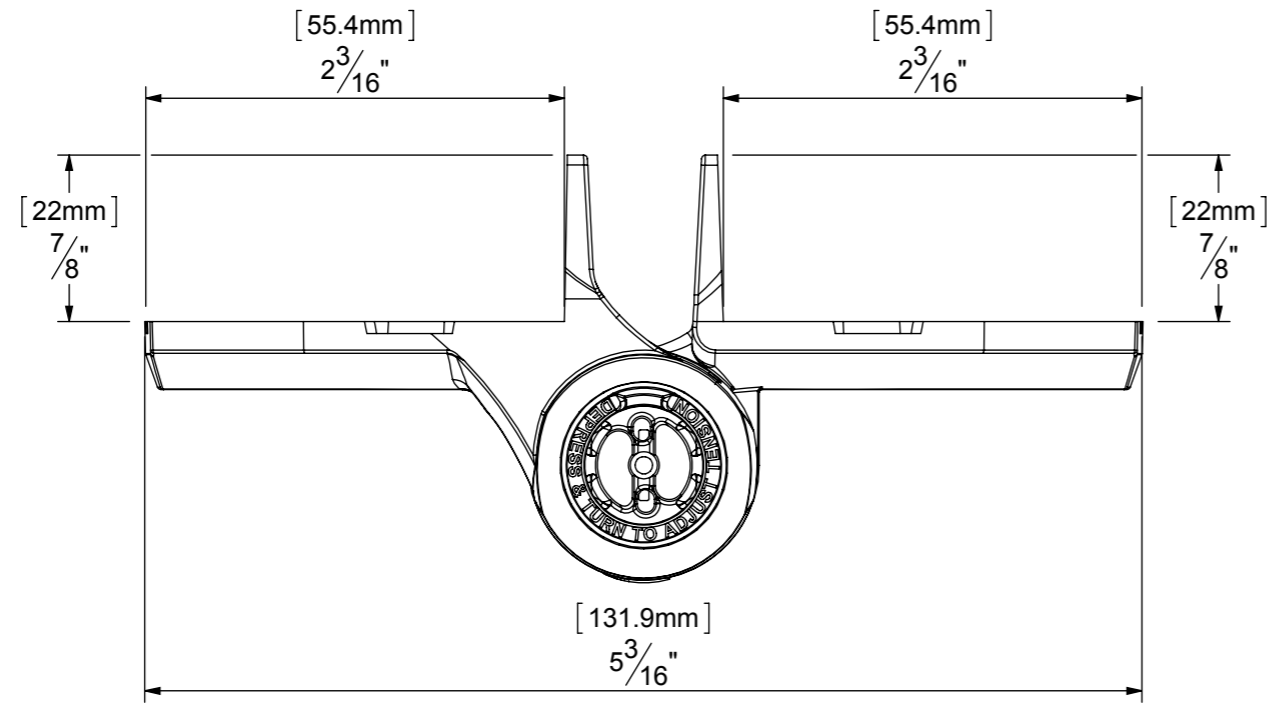


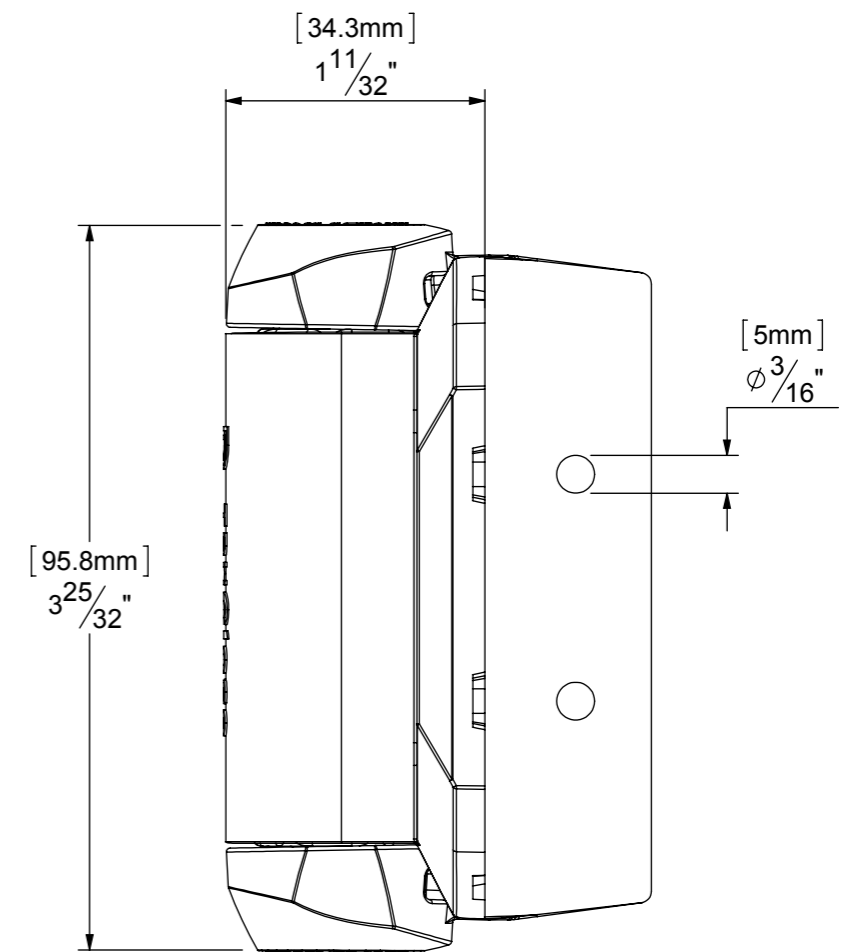
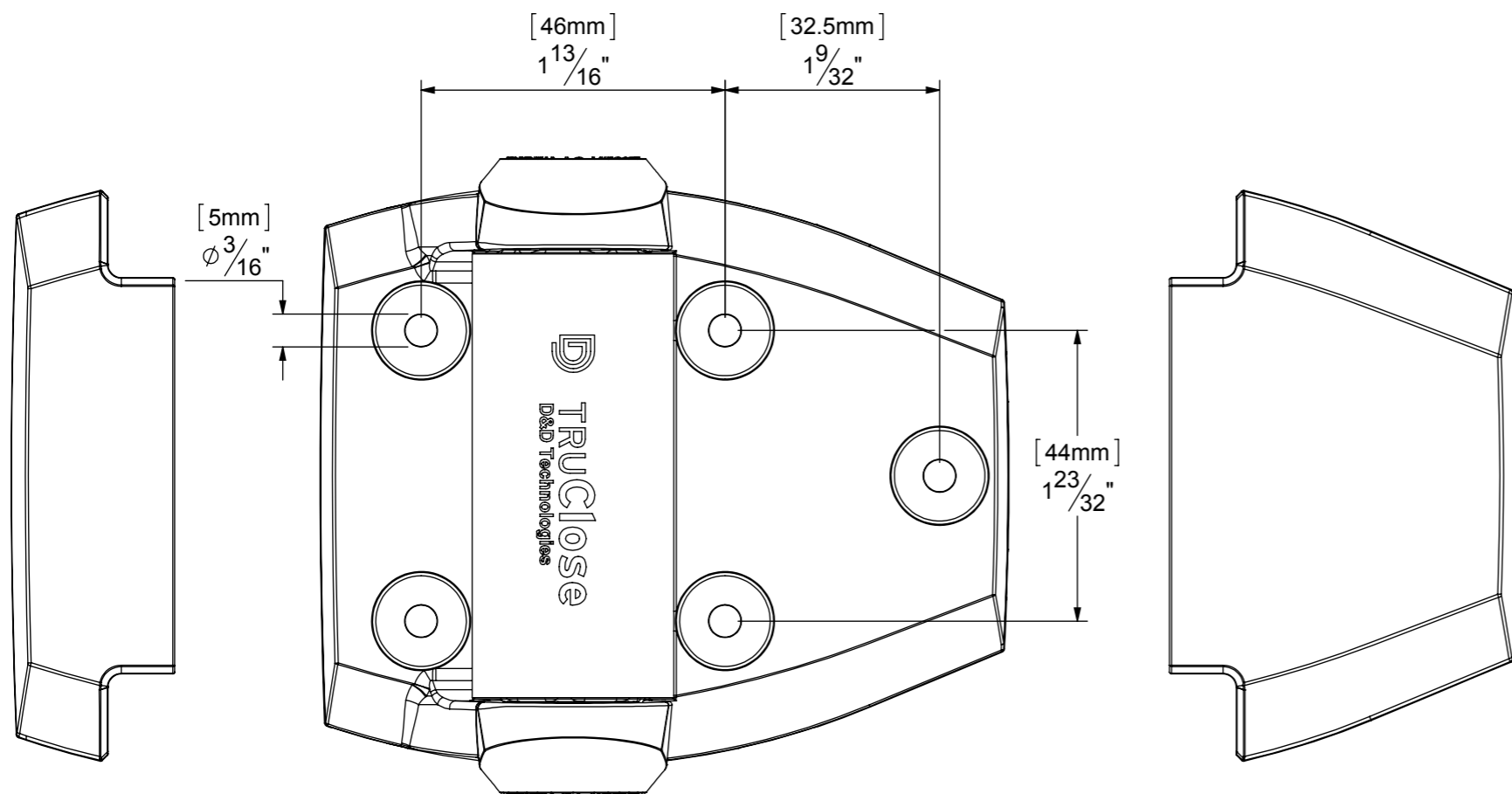
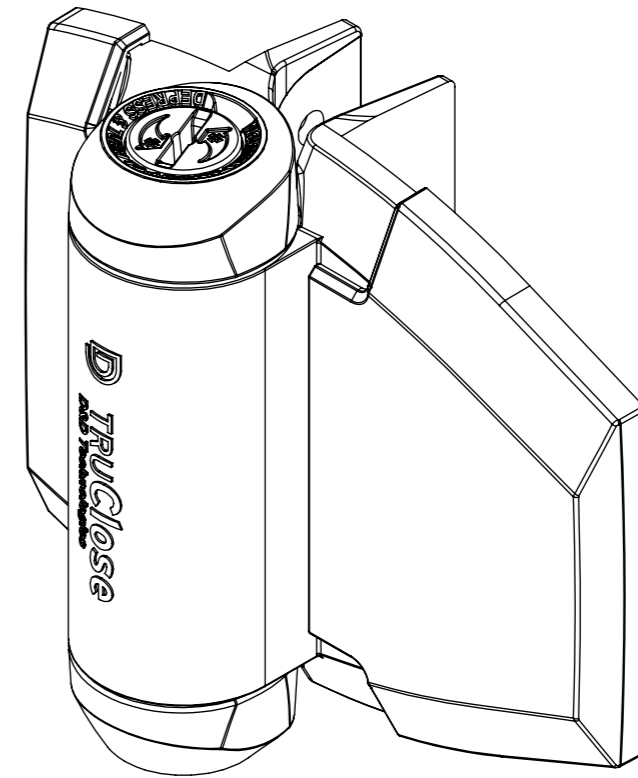
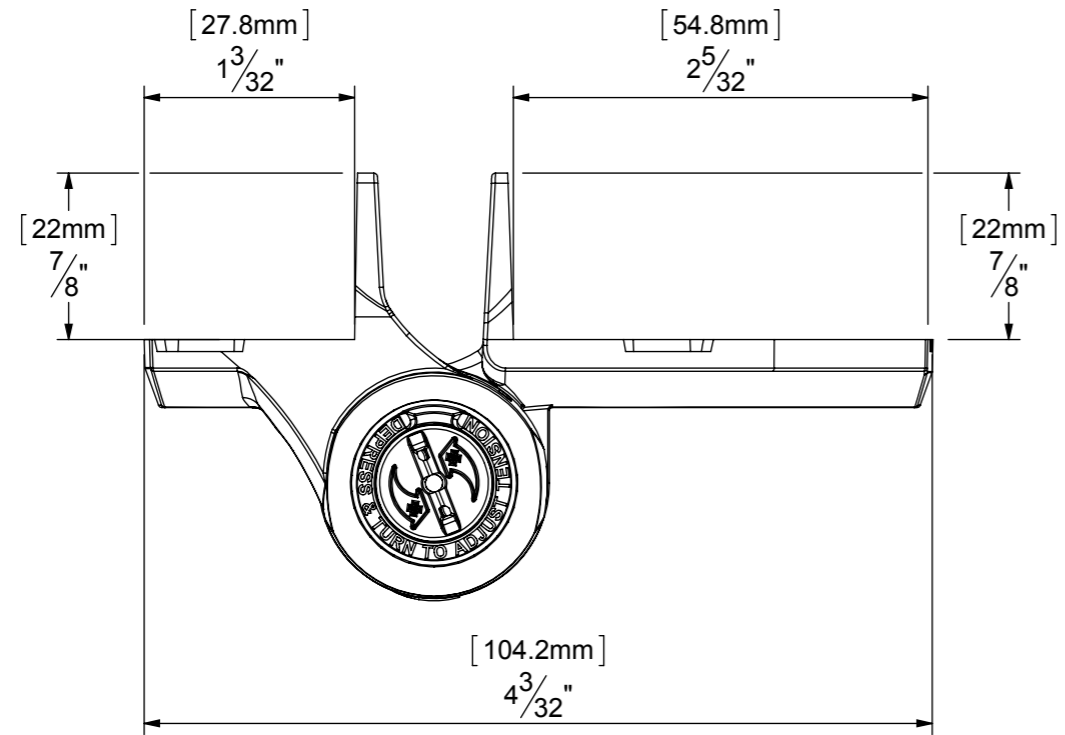
TRUCLOSE SERIES 3 - HEAVY DUTY - ONE LEG - TCHD1AL1S3BT



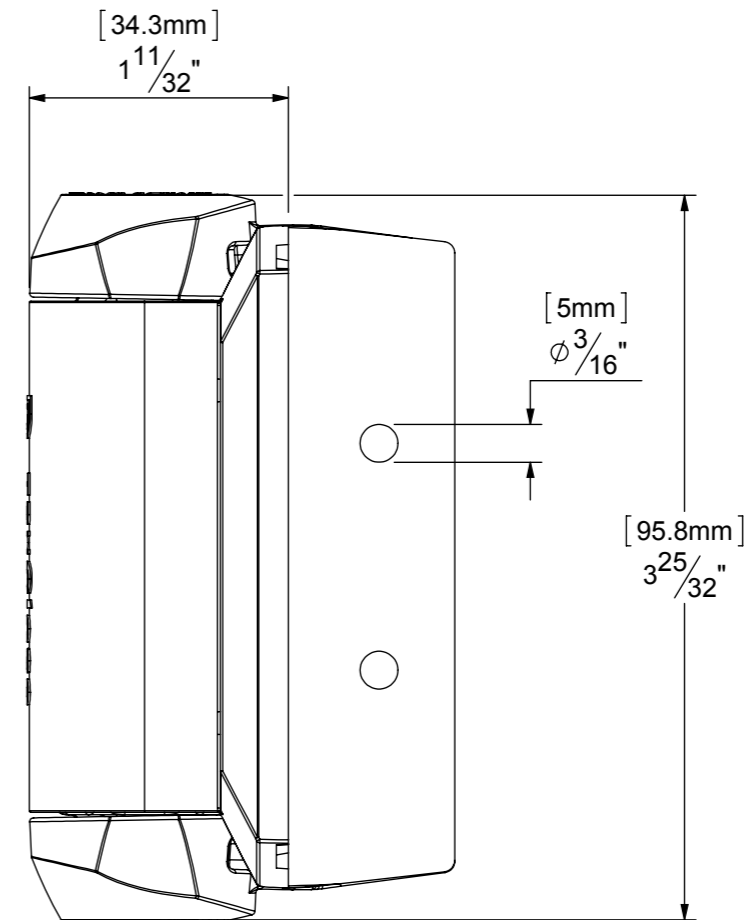
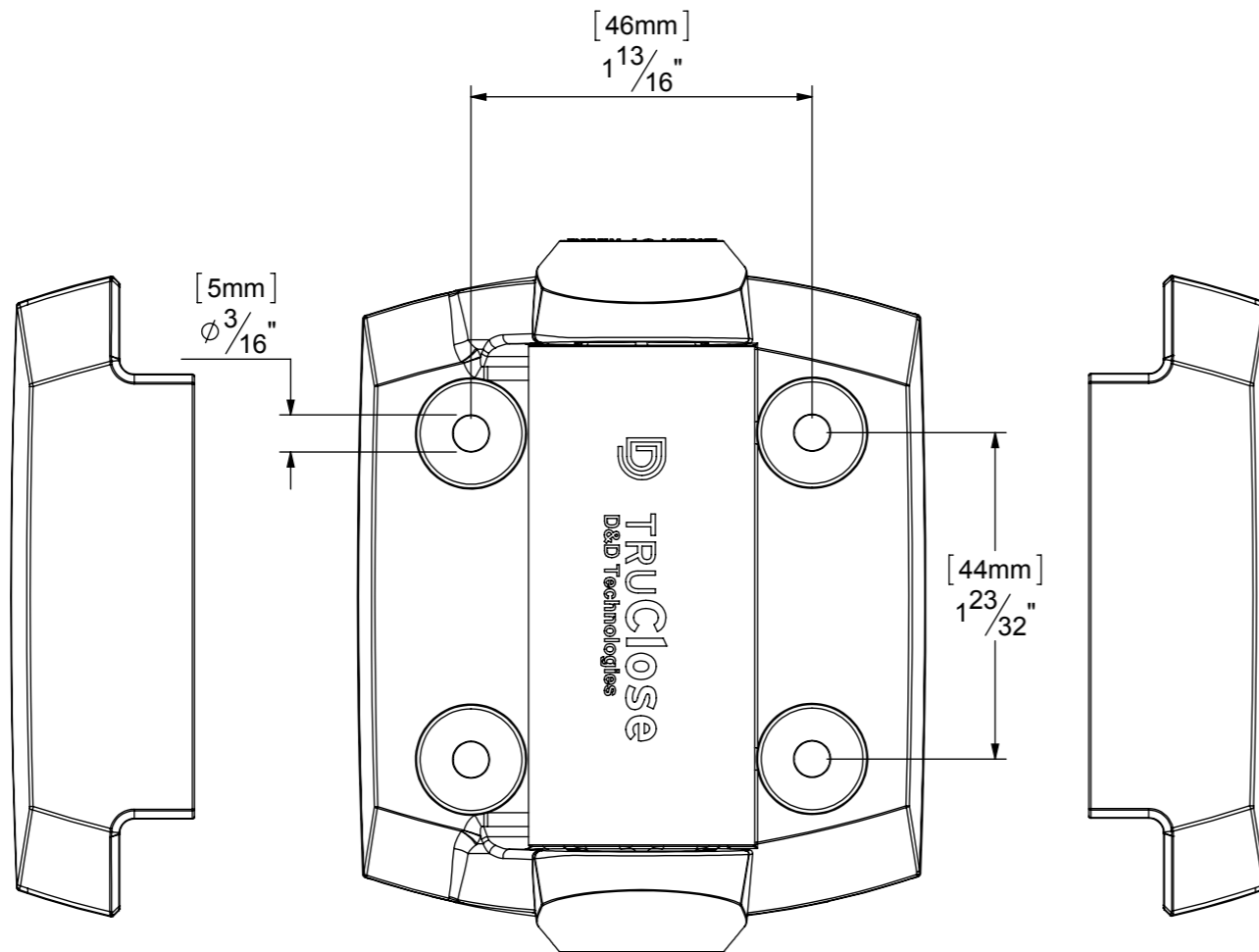
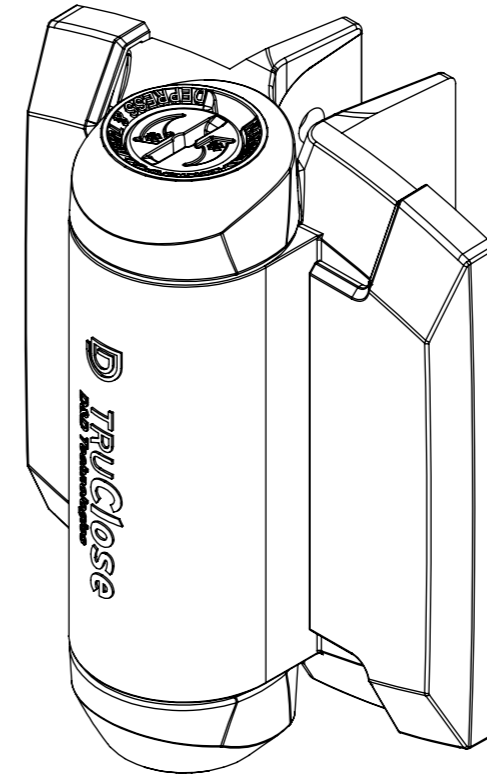
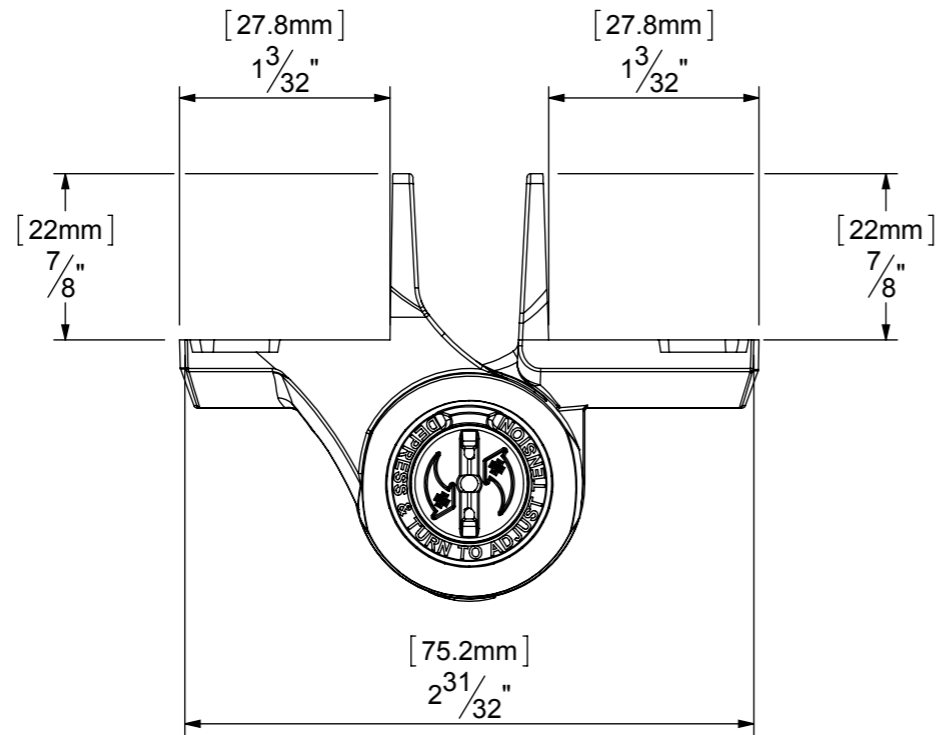
TRUCLOSE SERIES 3 - REGULAR DUTY - TWO LEGS - TCA3L2S3BT



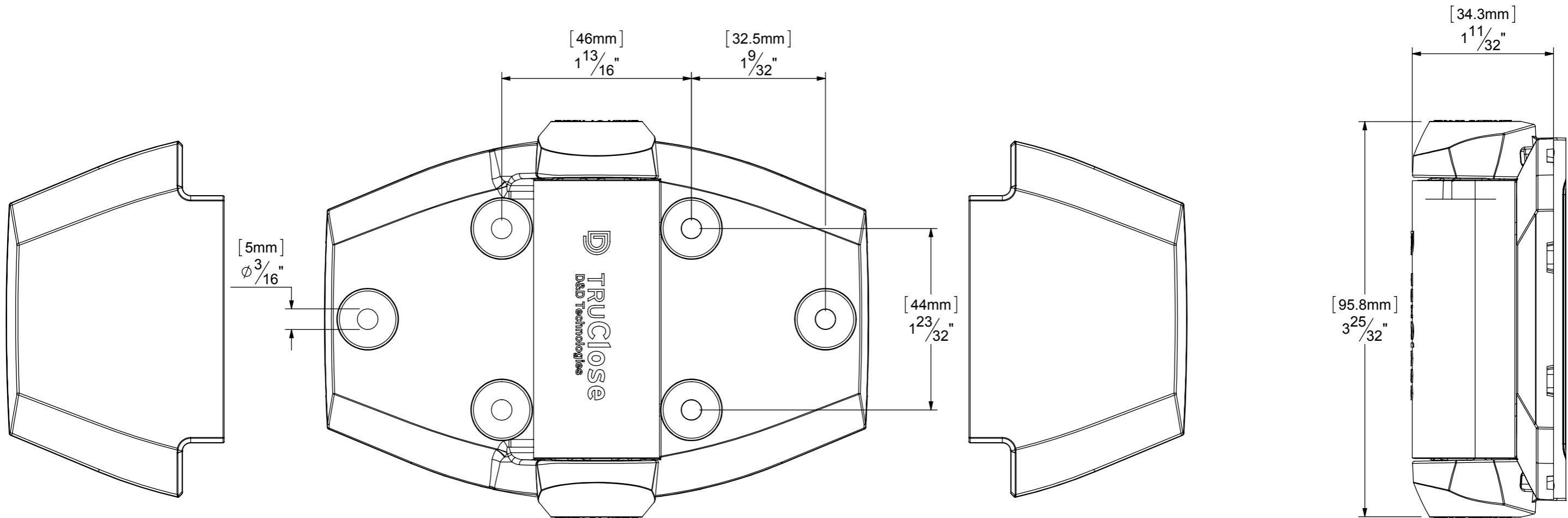
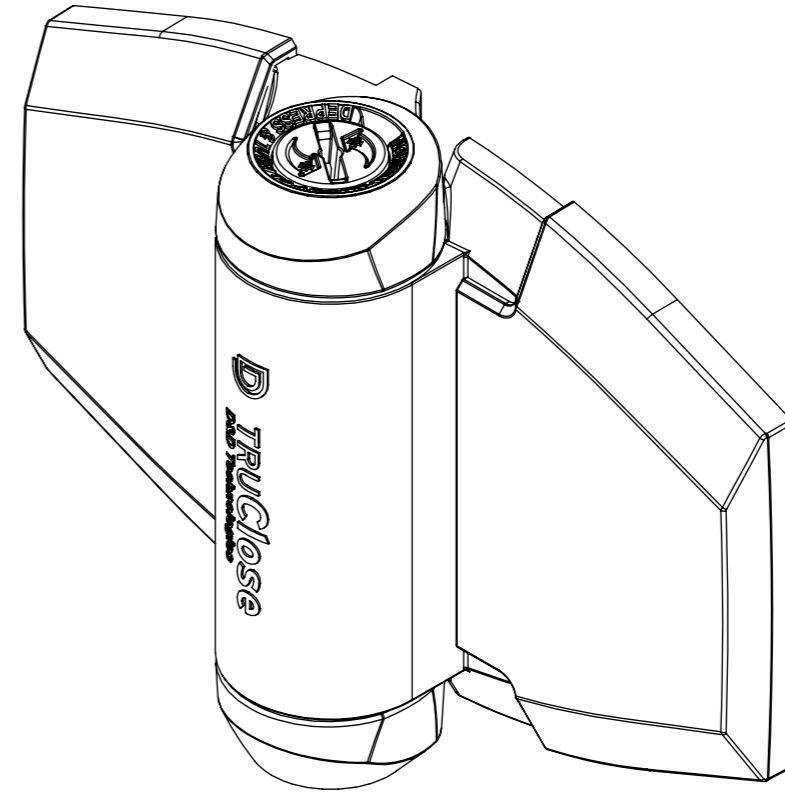
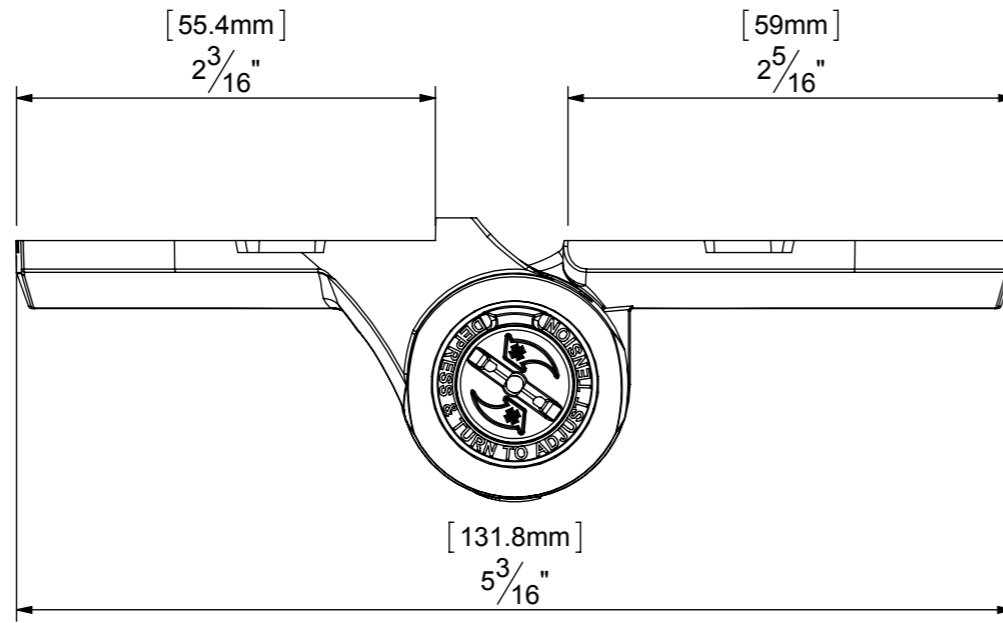
TRUCLOSE SERIES 3 - REGULAR DUTY - TWO LEGS - TCA2L2S3BT



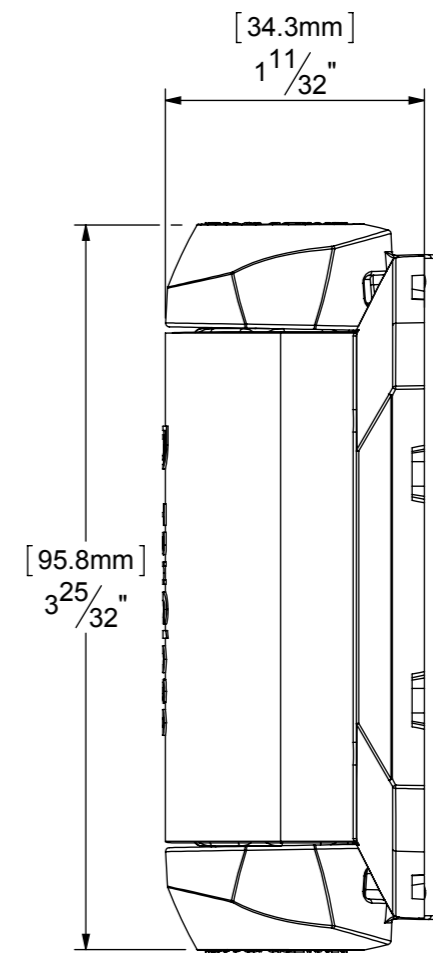
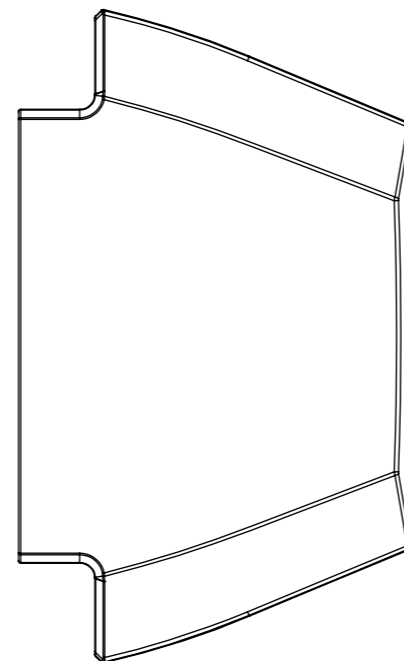
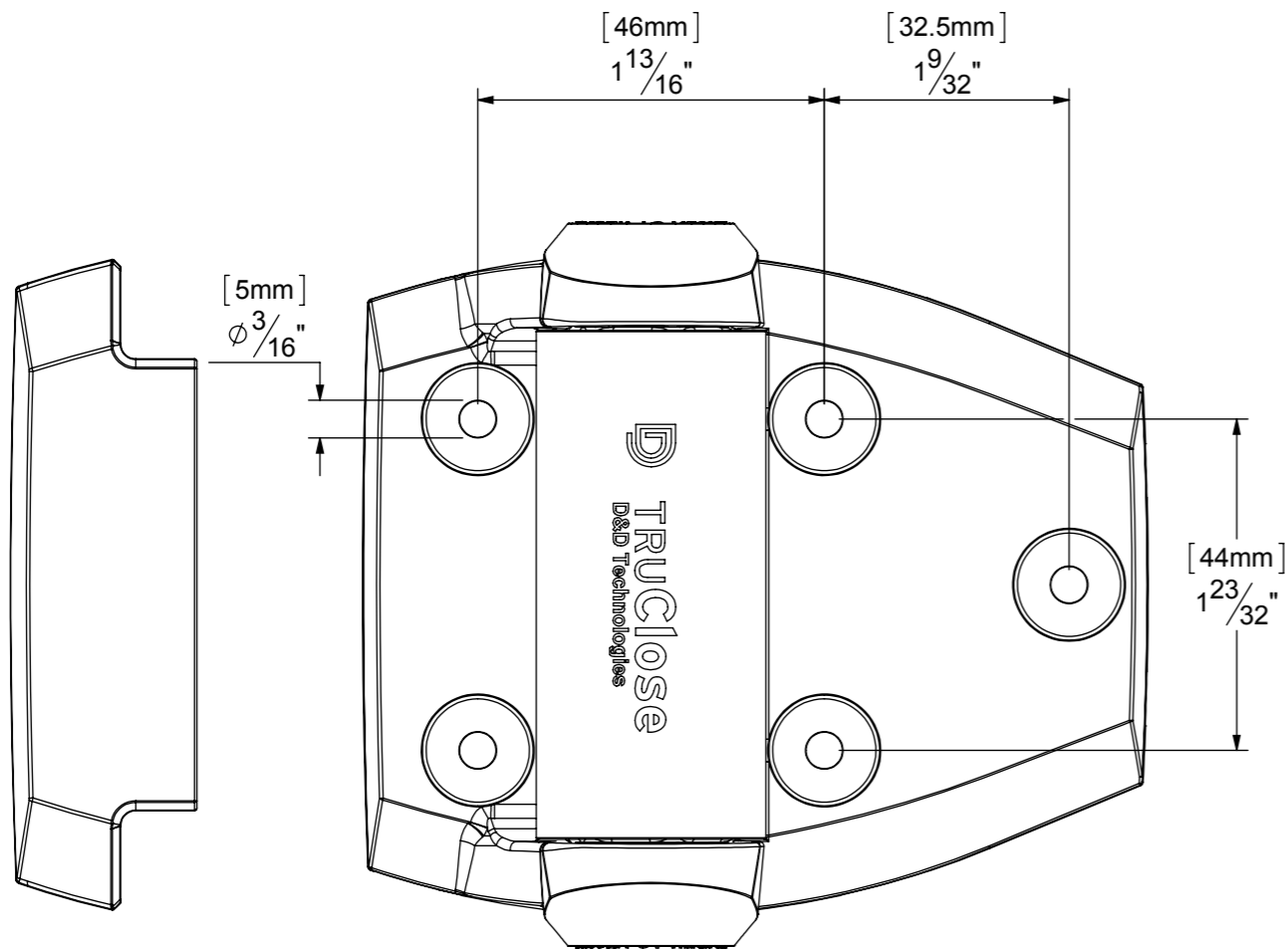
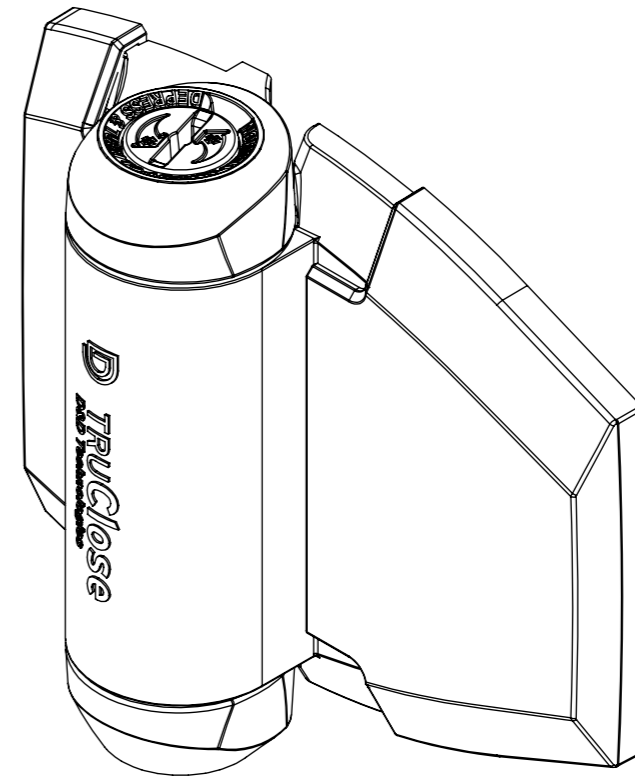
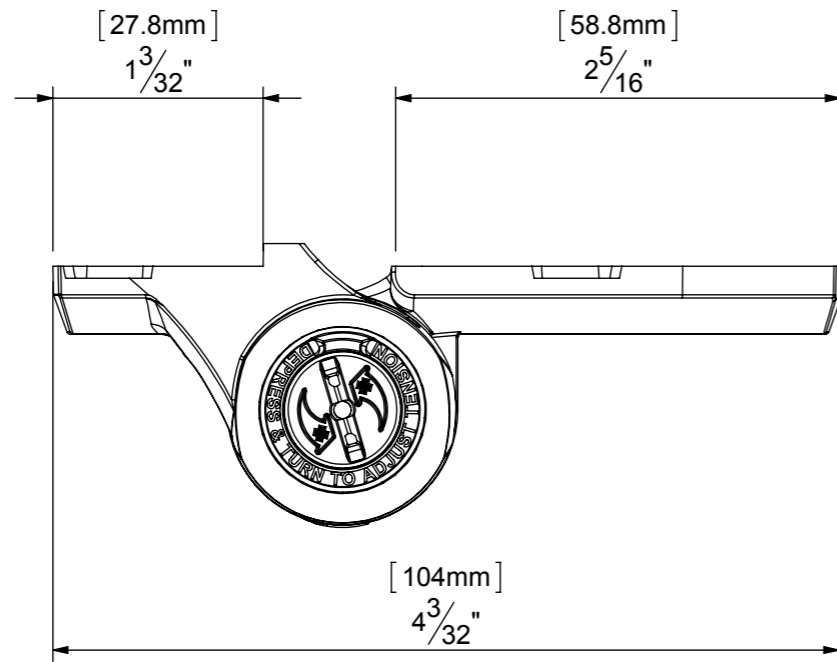
TRUCLOSE SERIES 3 - REGULAR DUTY - TWO LEGS - TCA1S3BT



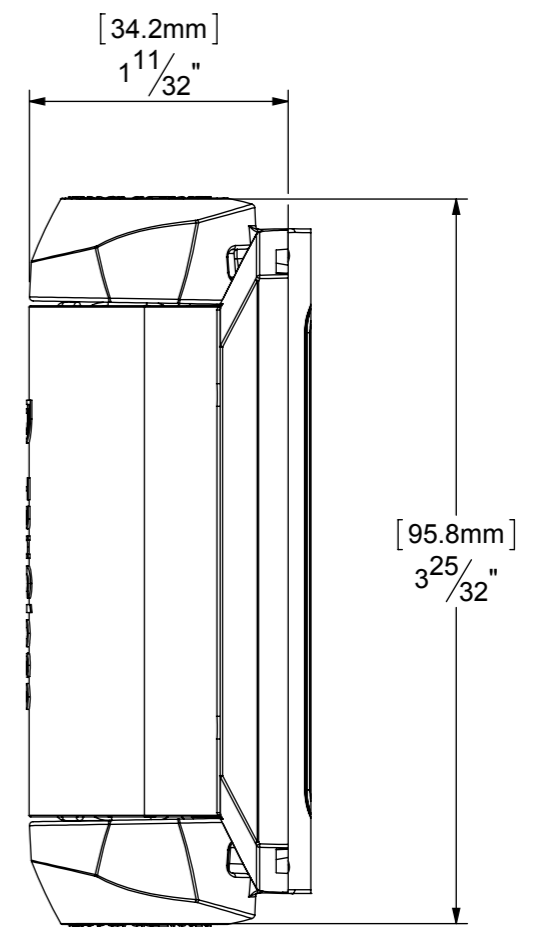
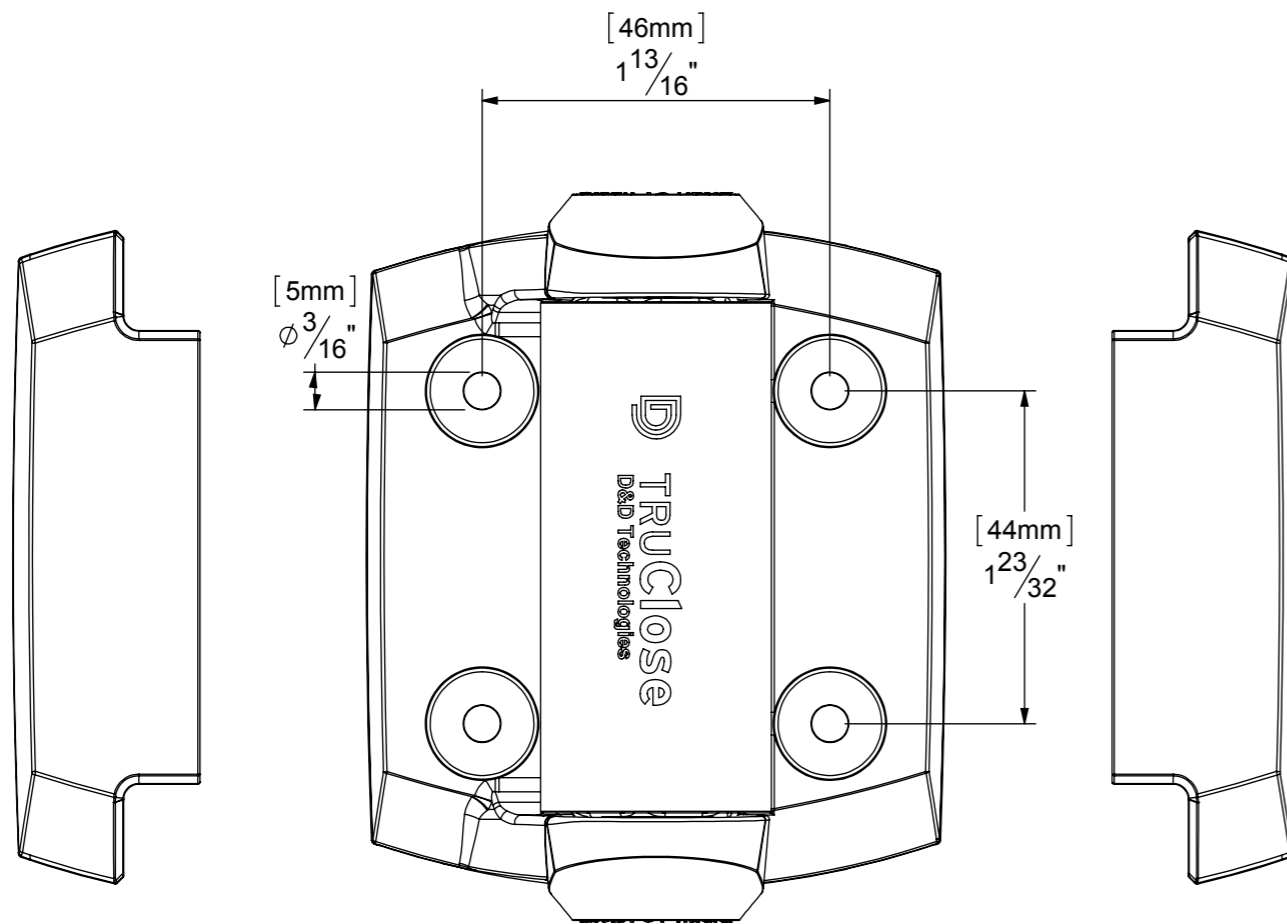
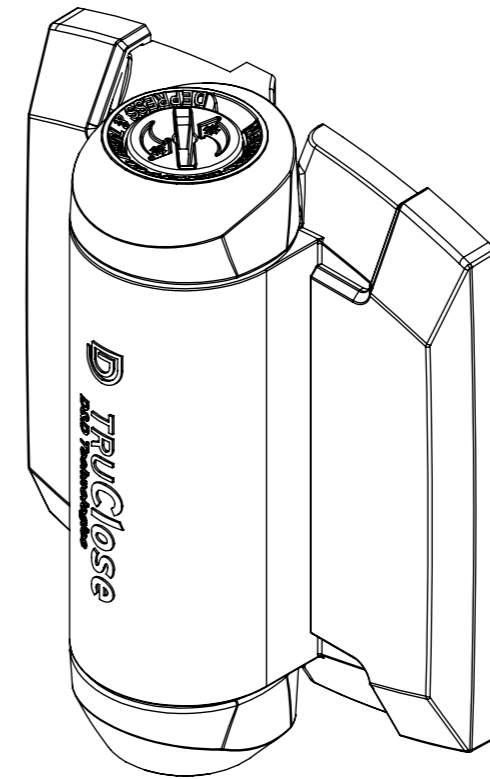
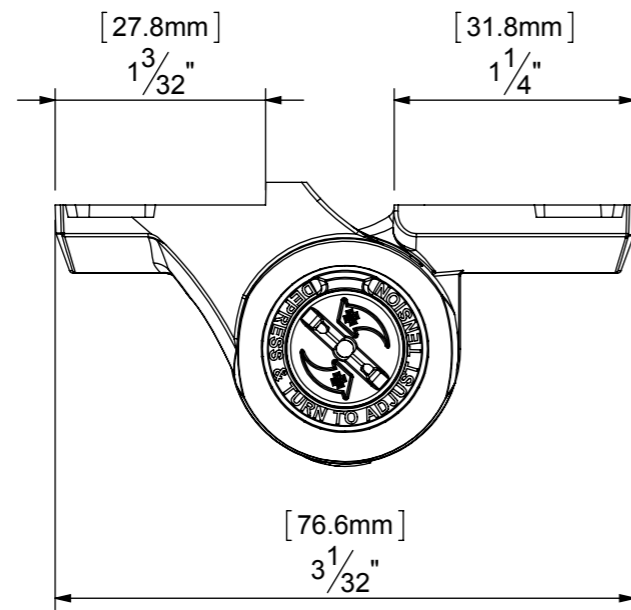
TRUCLOSE SERIES 3 - REGULAR DUTY - STANDARD - TCA3S3BT



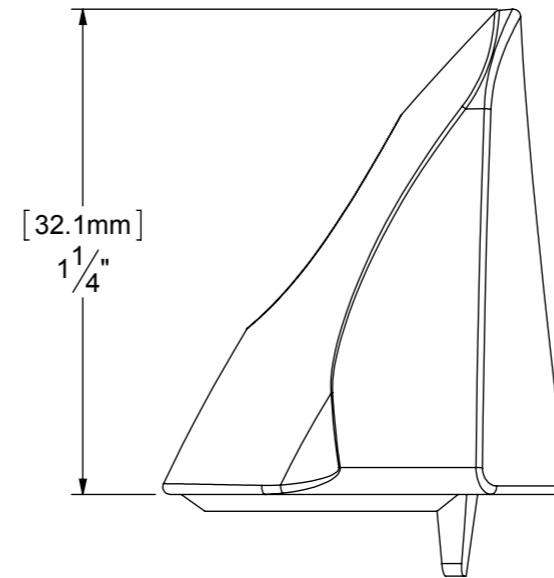
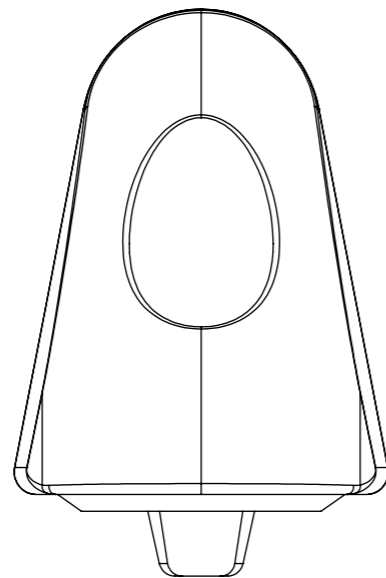
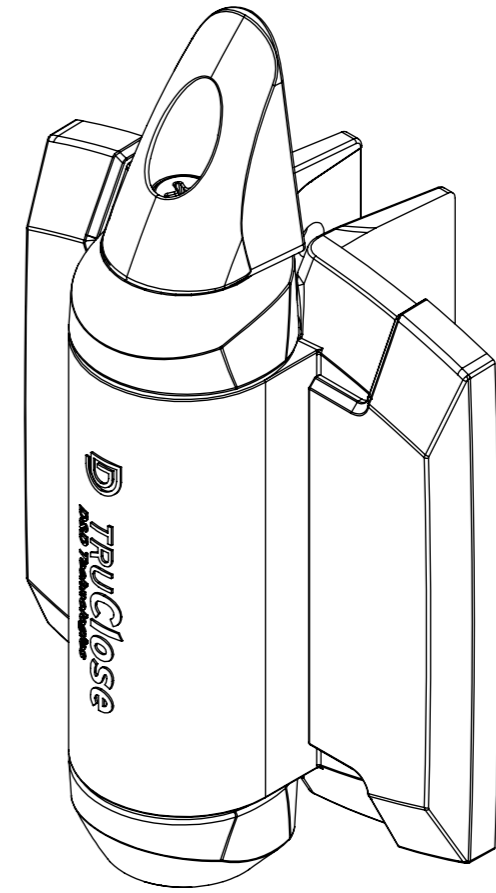
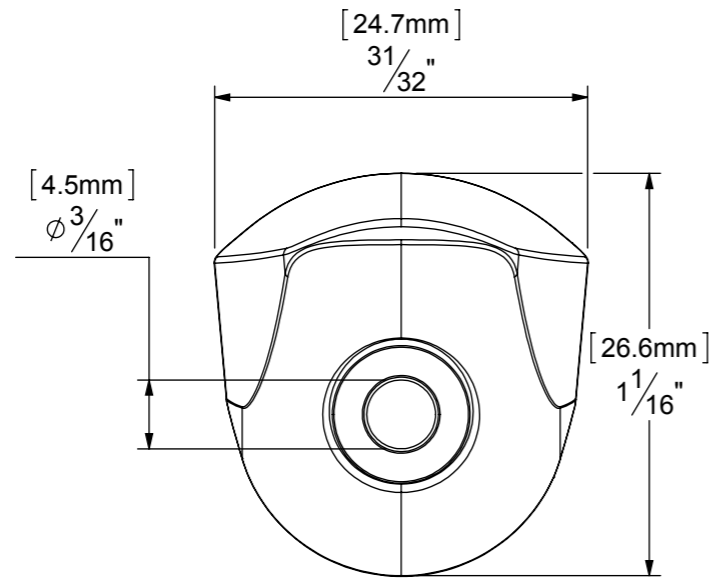
TRUCLOSE SERIES 3 - REGULAR DUTY - STANDARD - TCA2S3BT



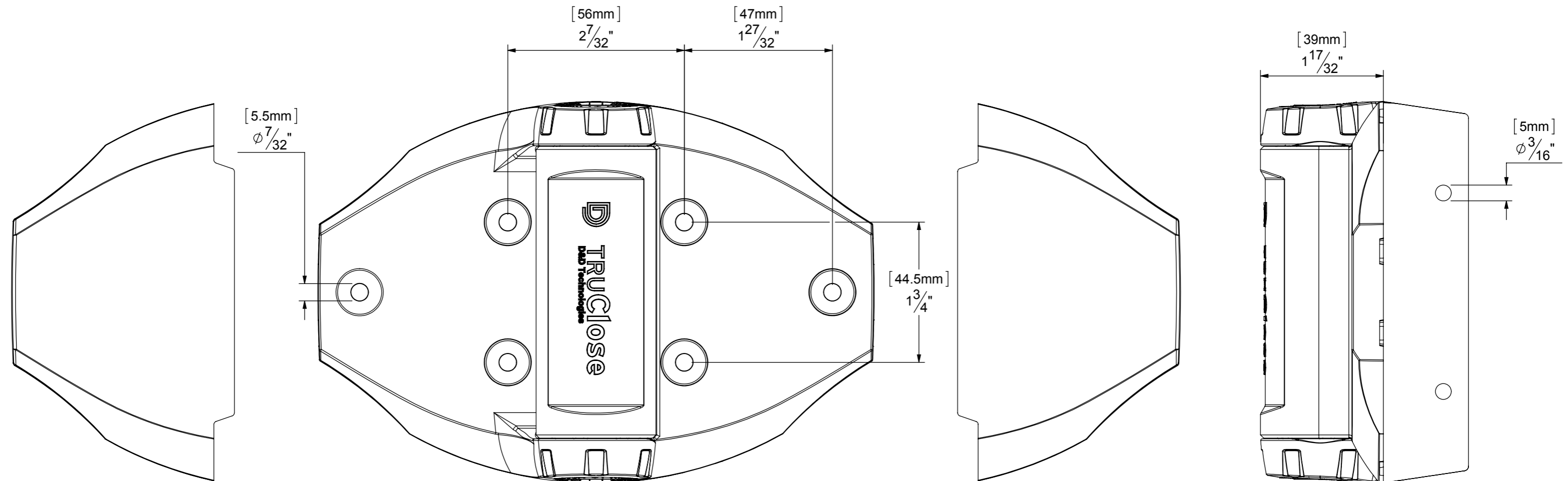
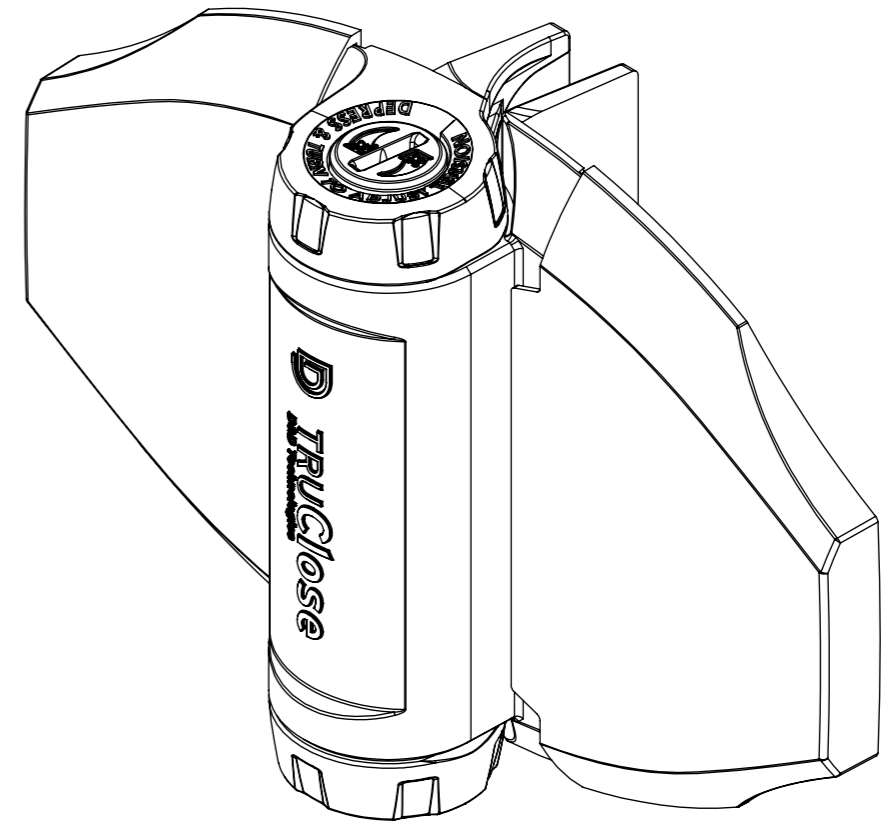
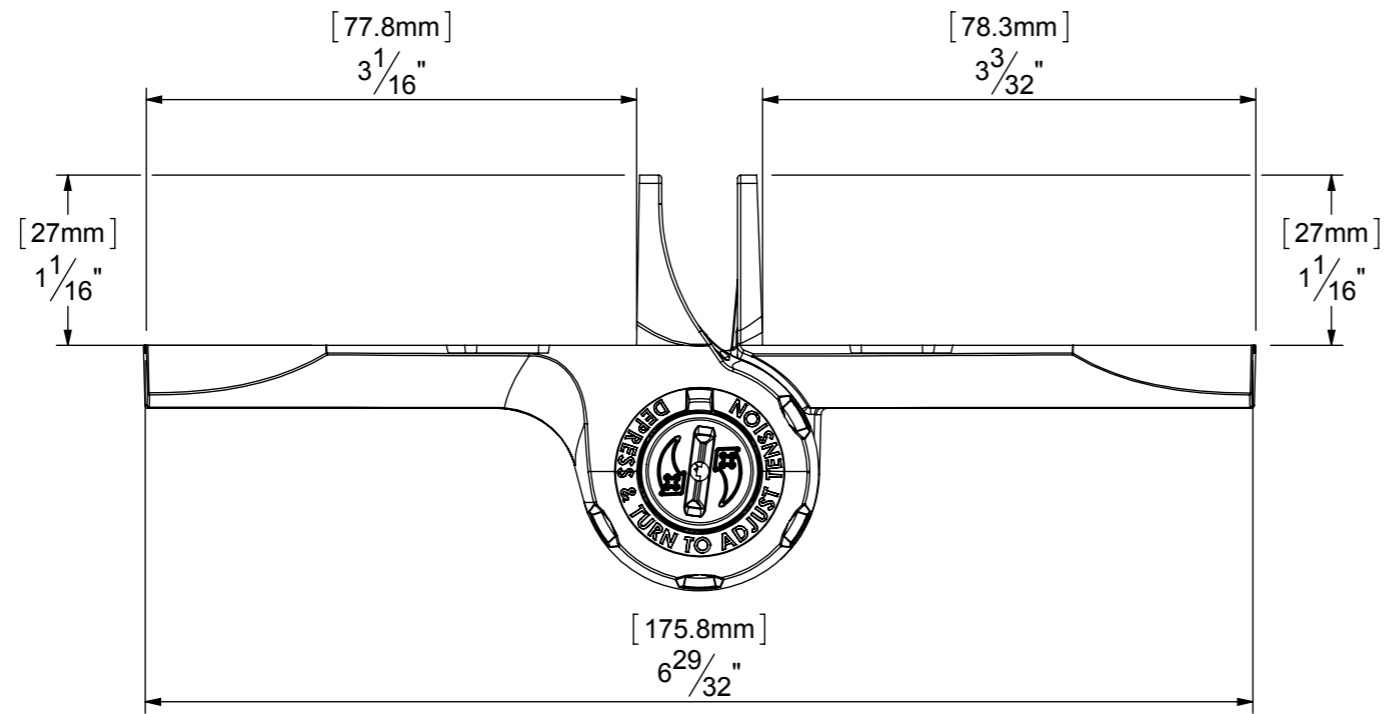
TRUCLOSE SERIES 3 - REGULAR DUTY - STANDARD - TCA1S3BT



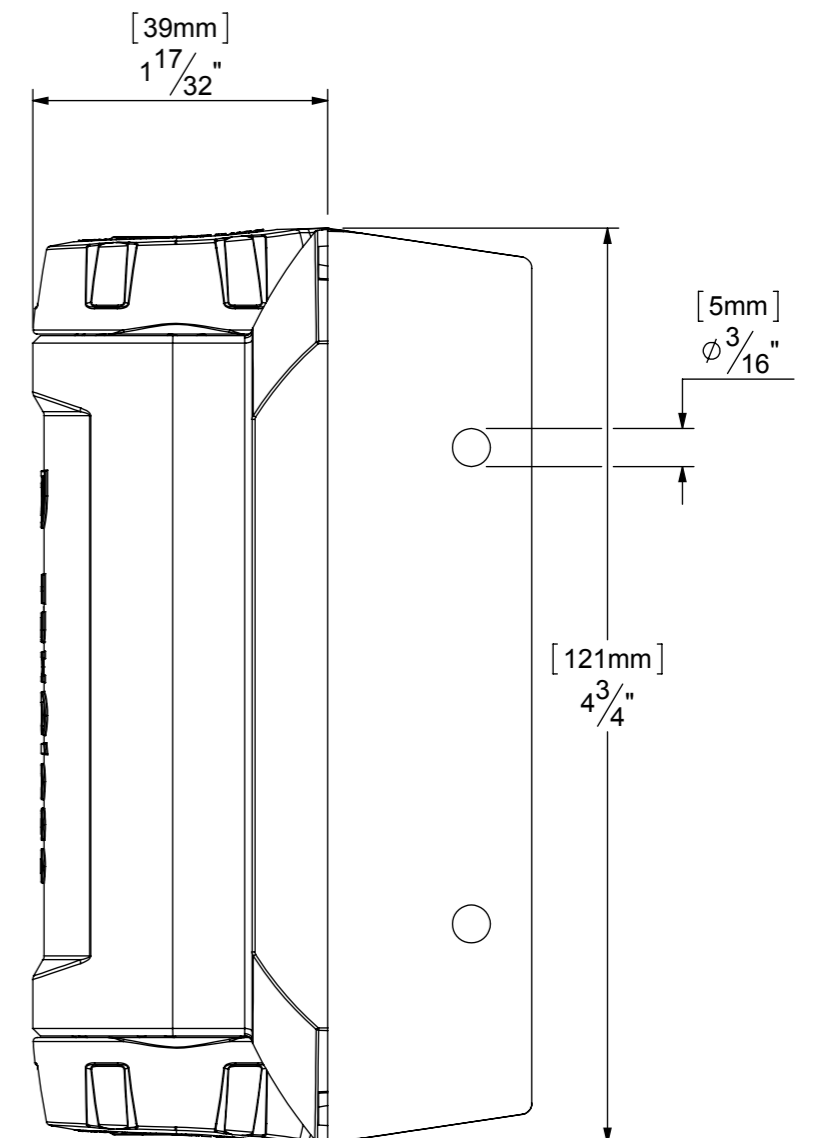
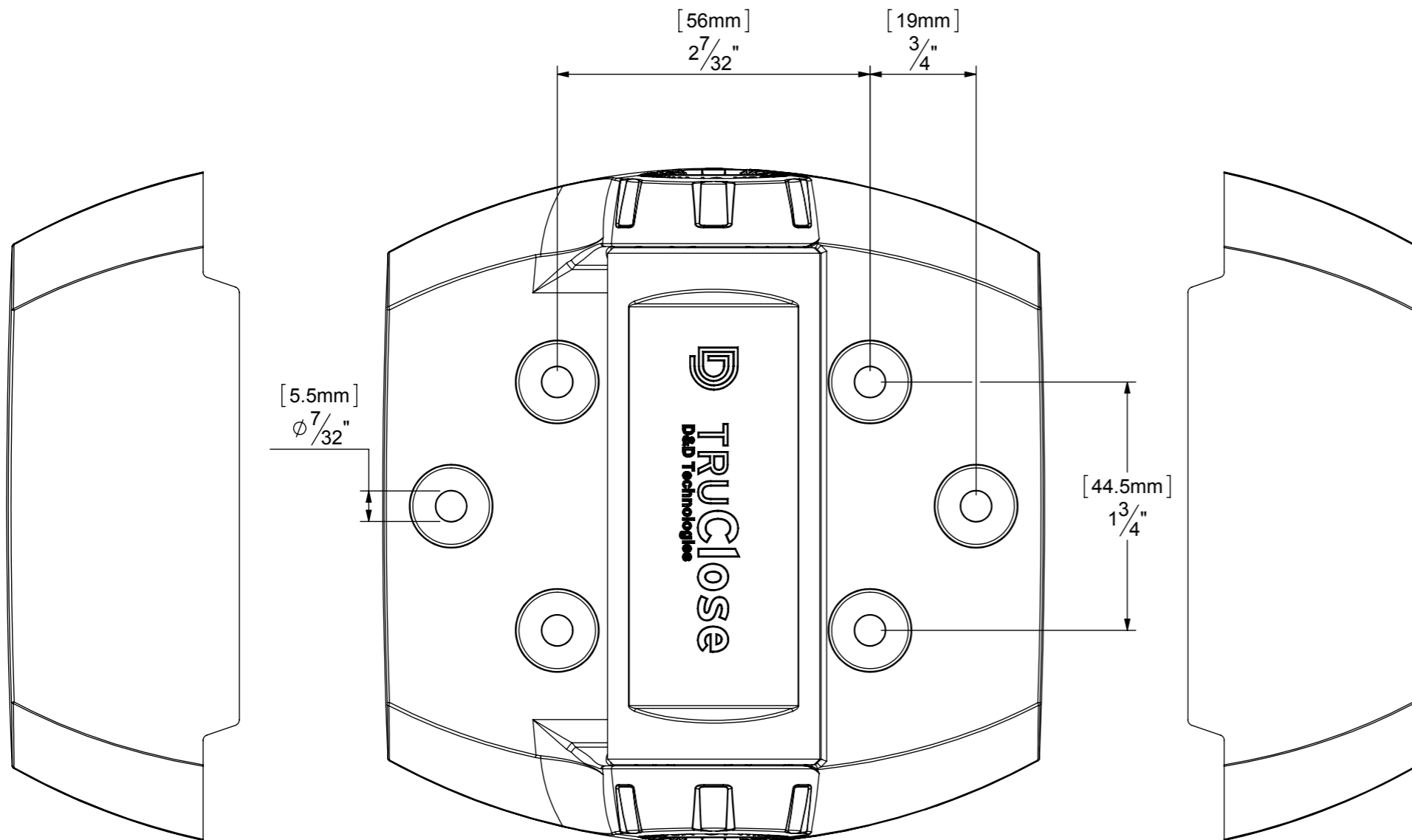
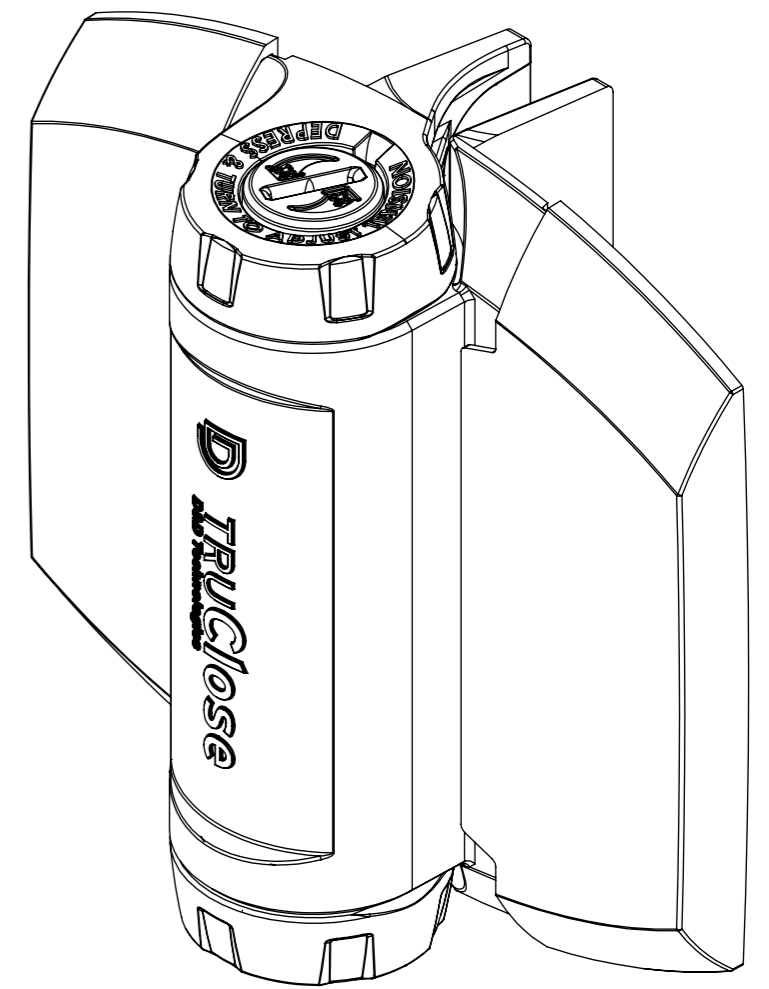
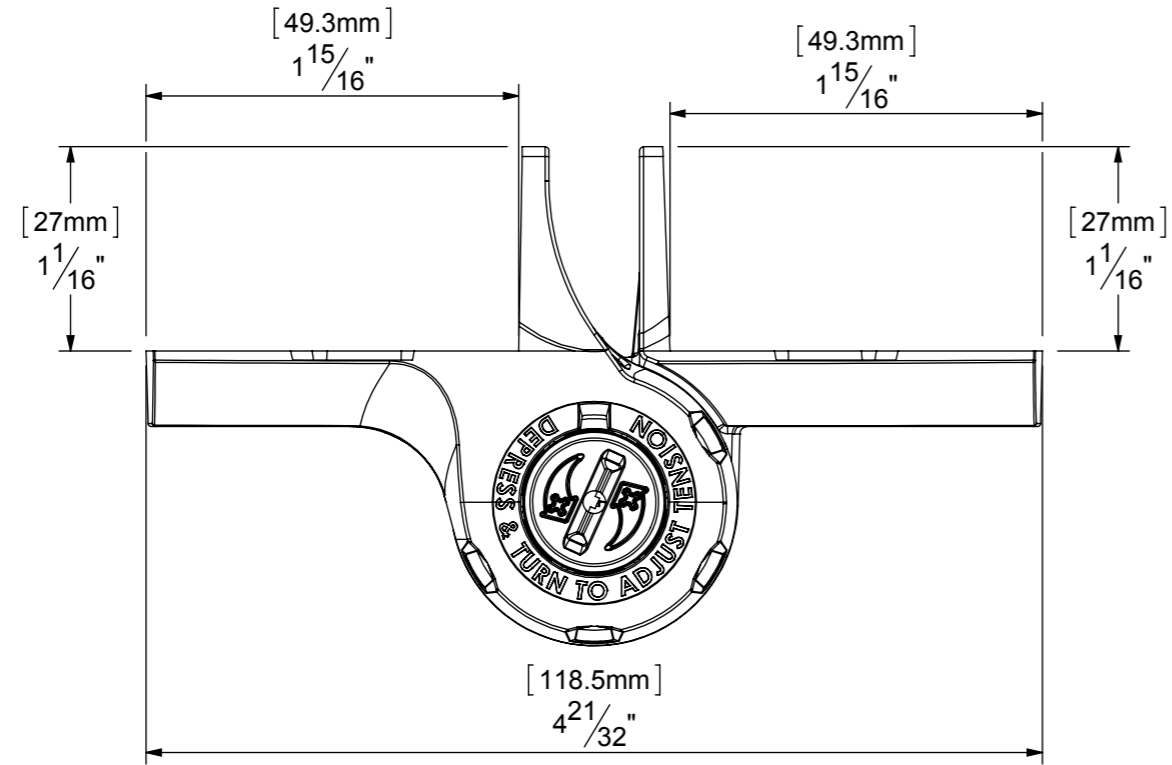
TRUCLOSE SERIES 3 - REGULAR DUTY - SAFETY CAP - TCACAPS3



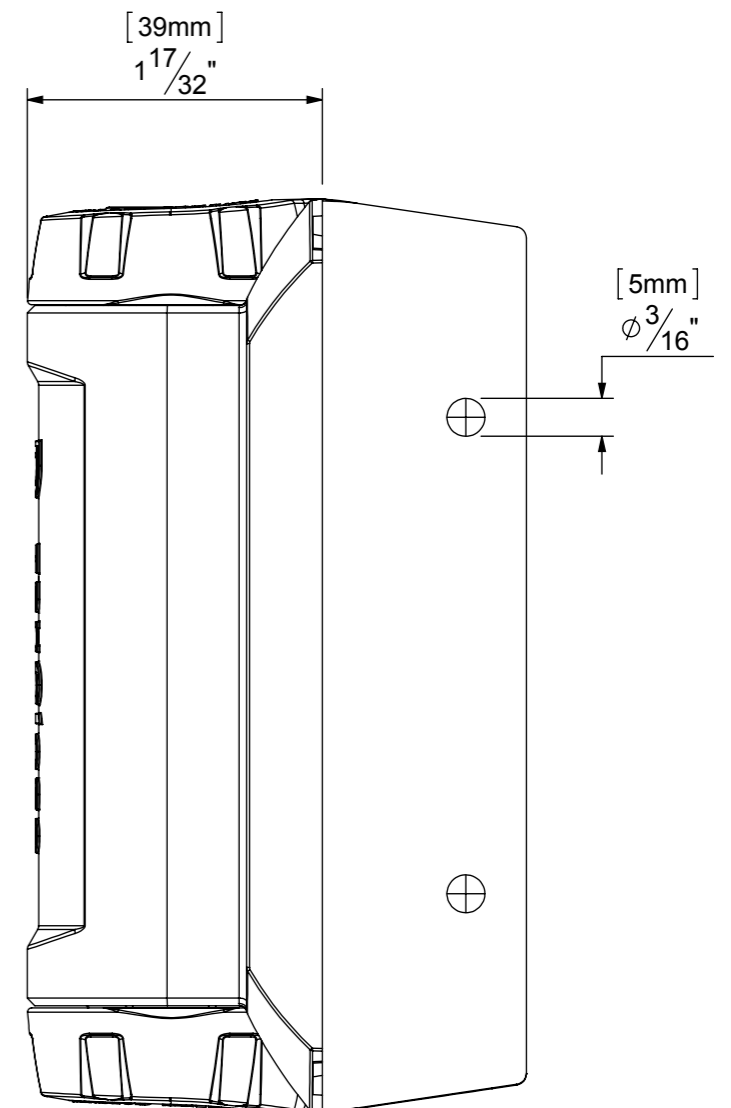
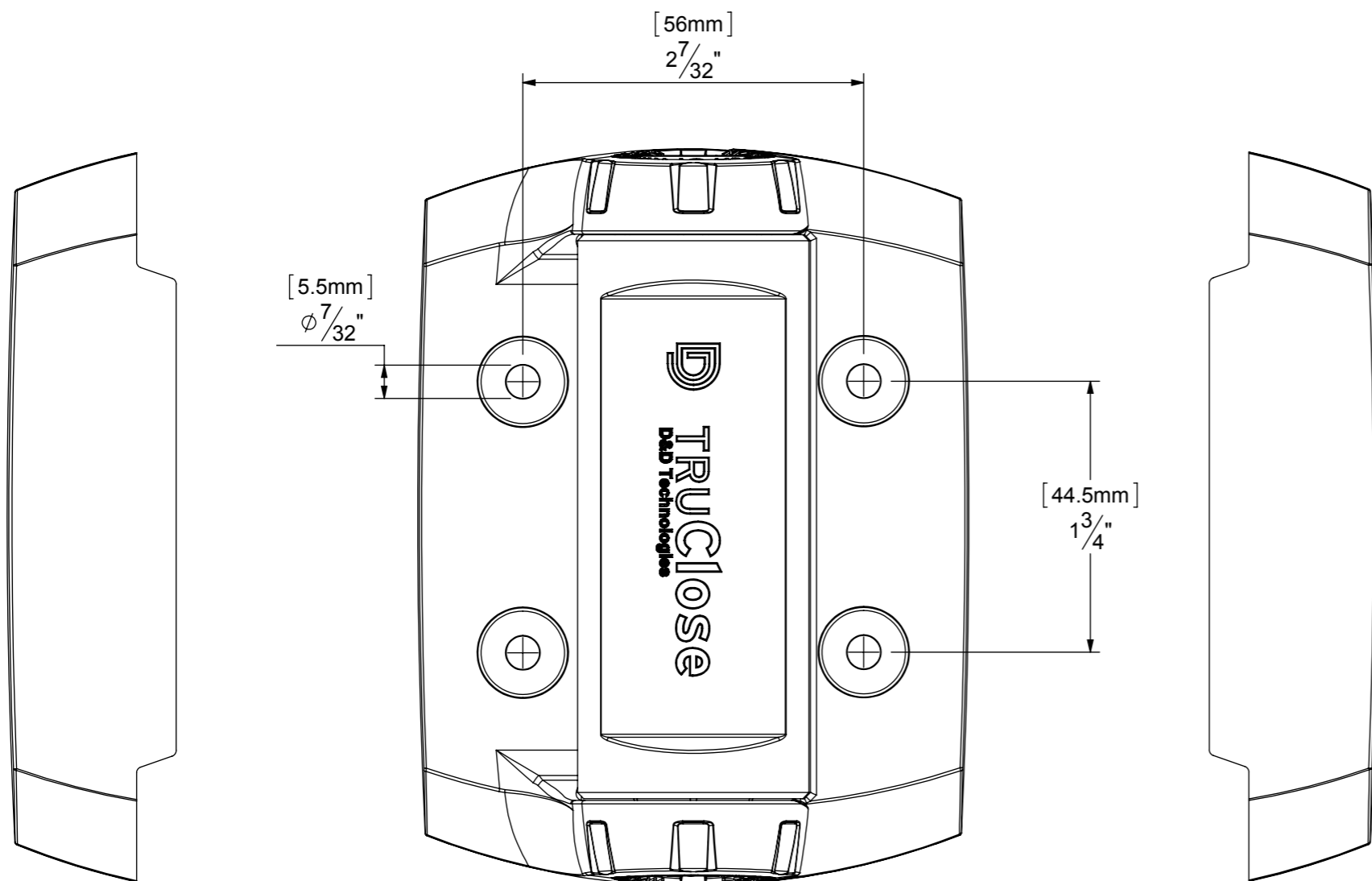
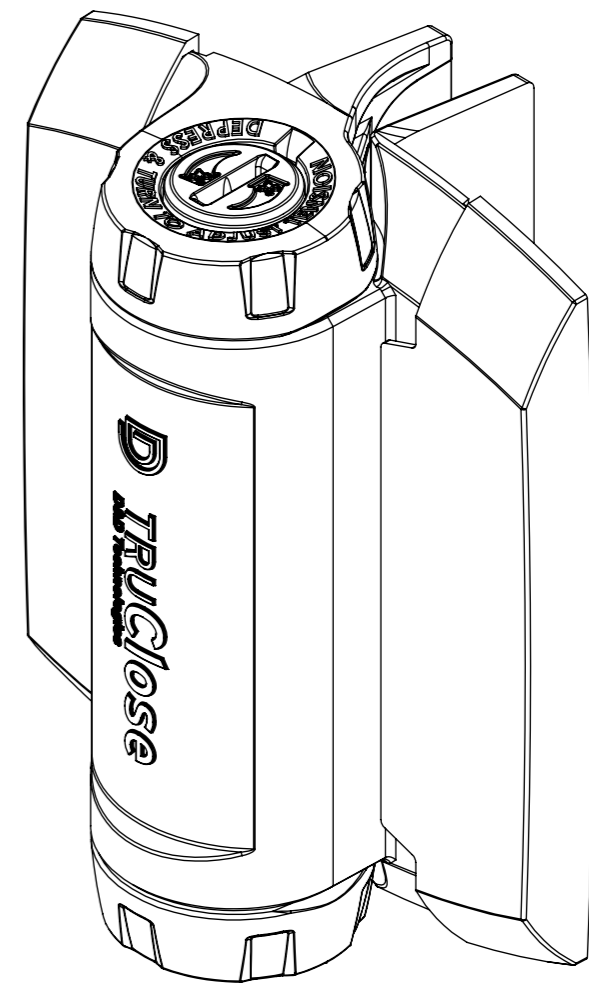
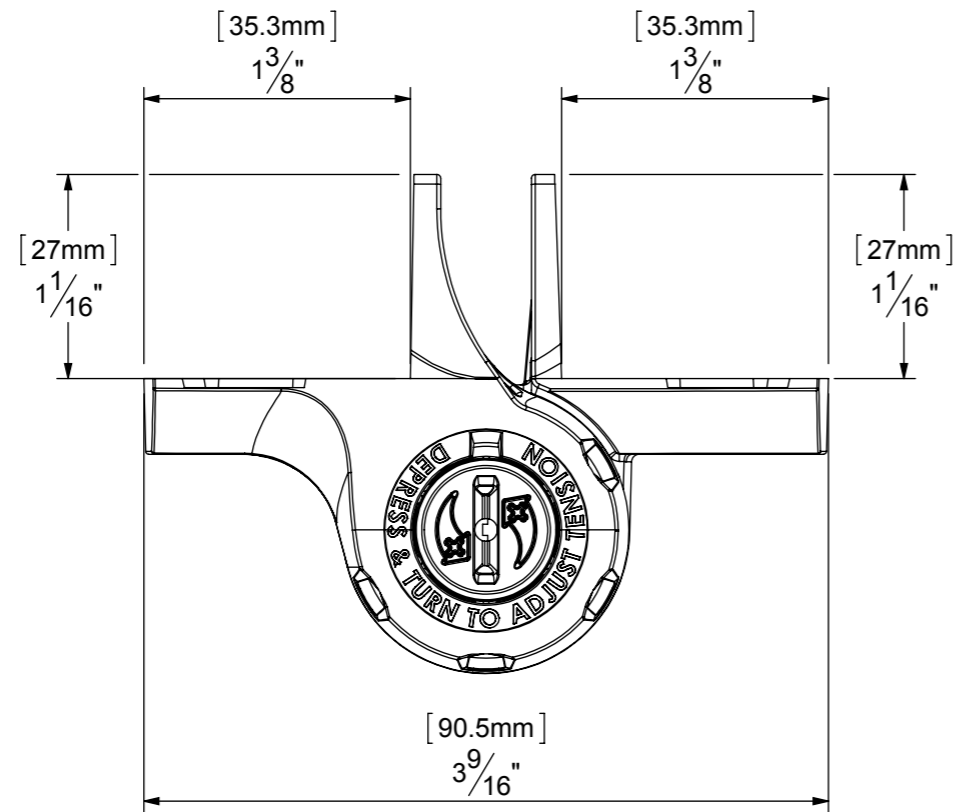
TRUCLOSE SERIES 3 - HEAVY DUTY - TWO LEGS - TCHD2L2S3BT



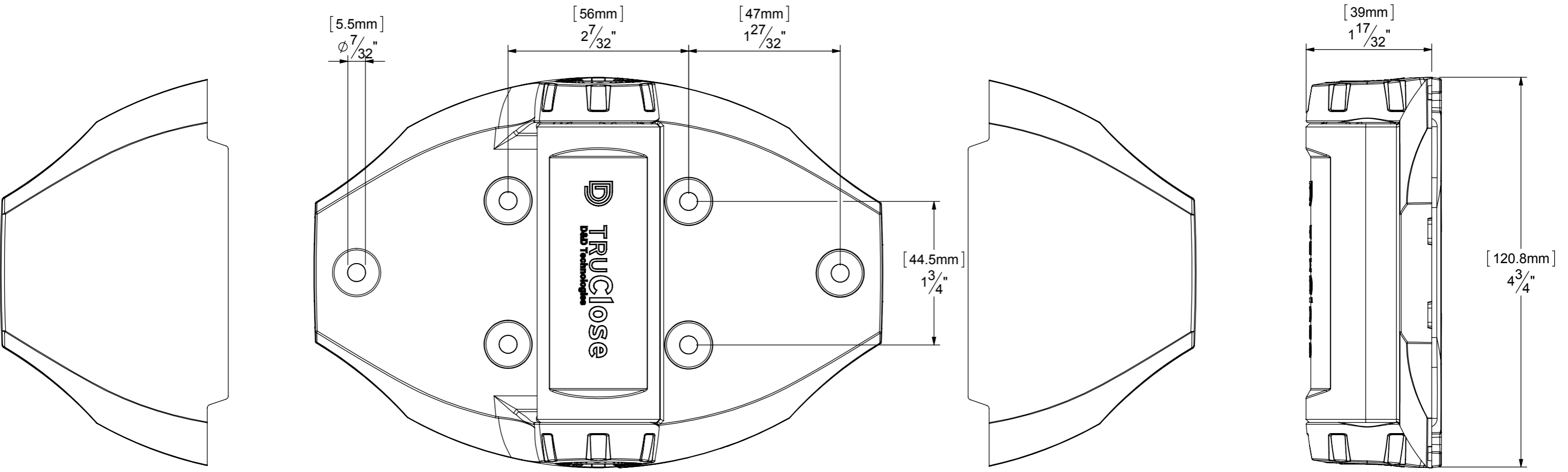
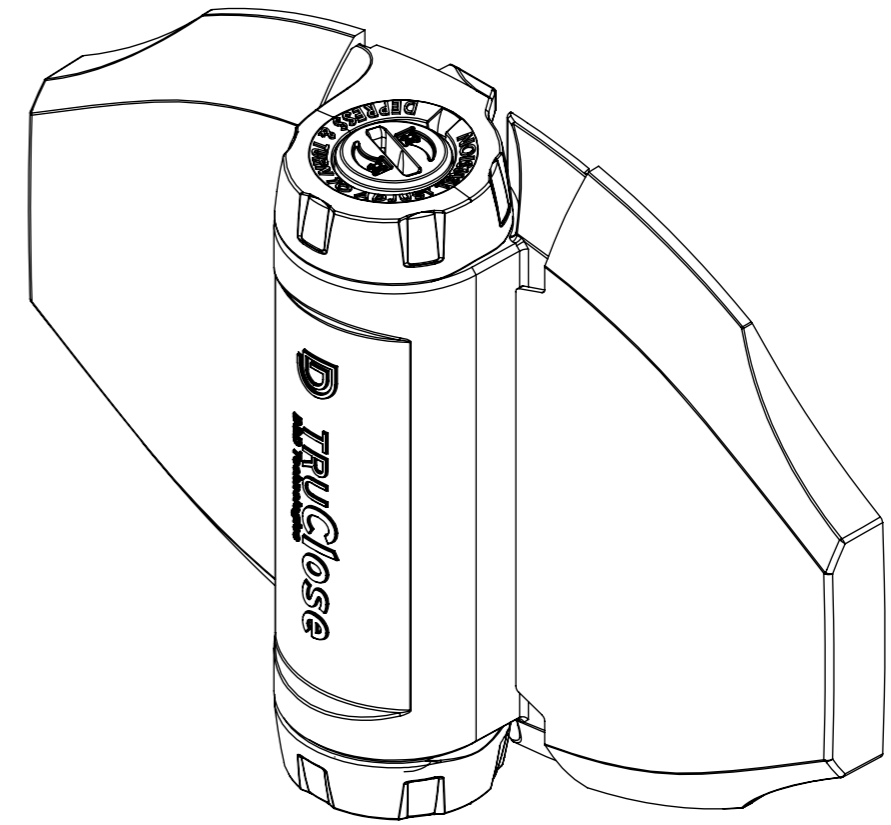
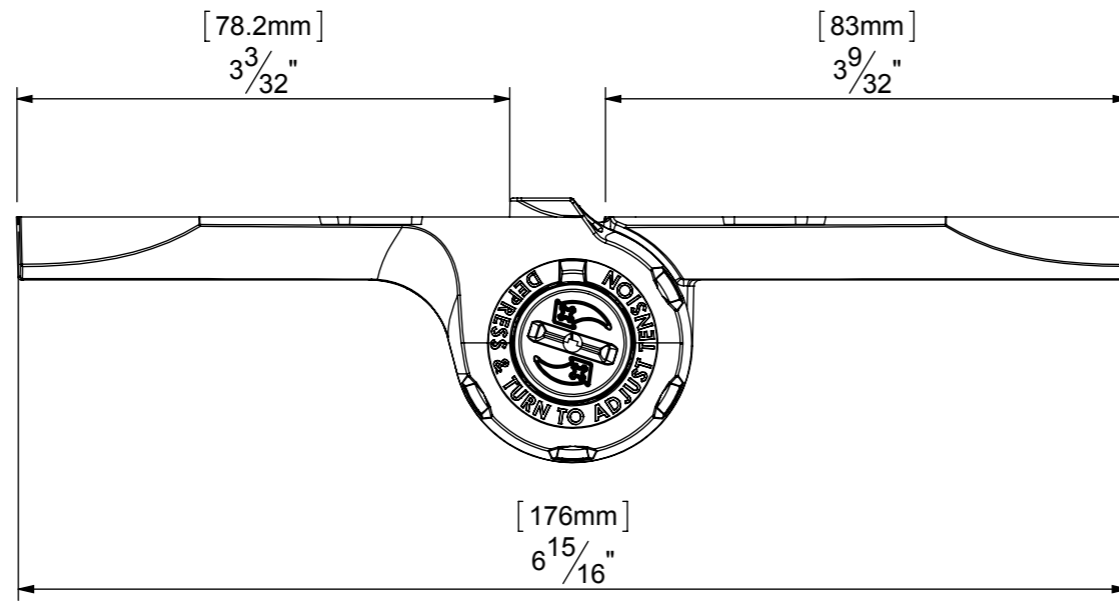
TRUCLOSE SERIES 3 - HEAVY DUTY - TWO LEGS - TCHD1L2S3BT



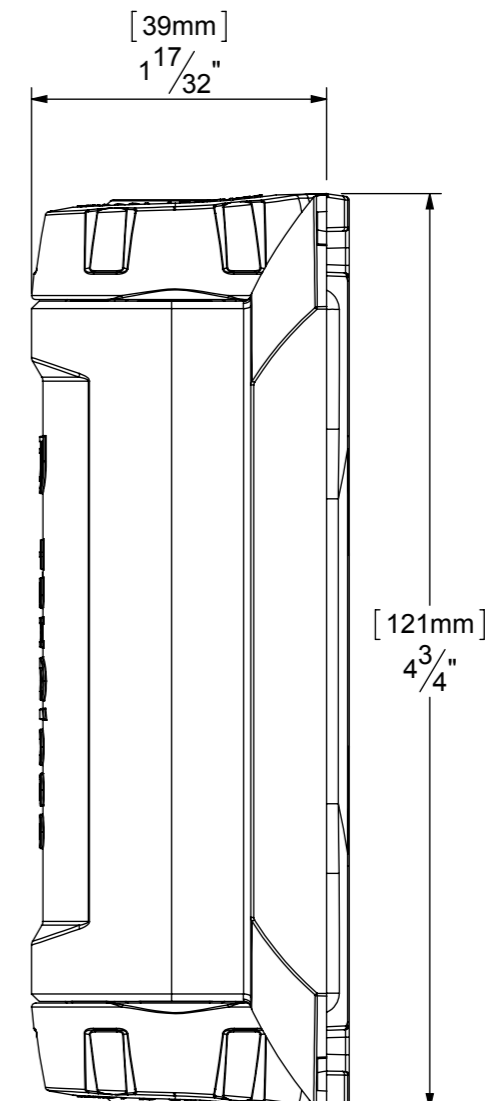
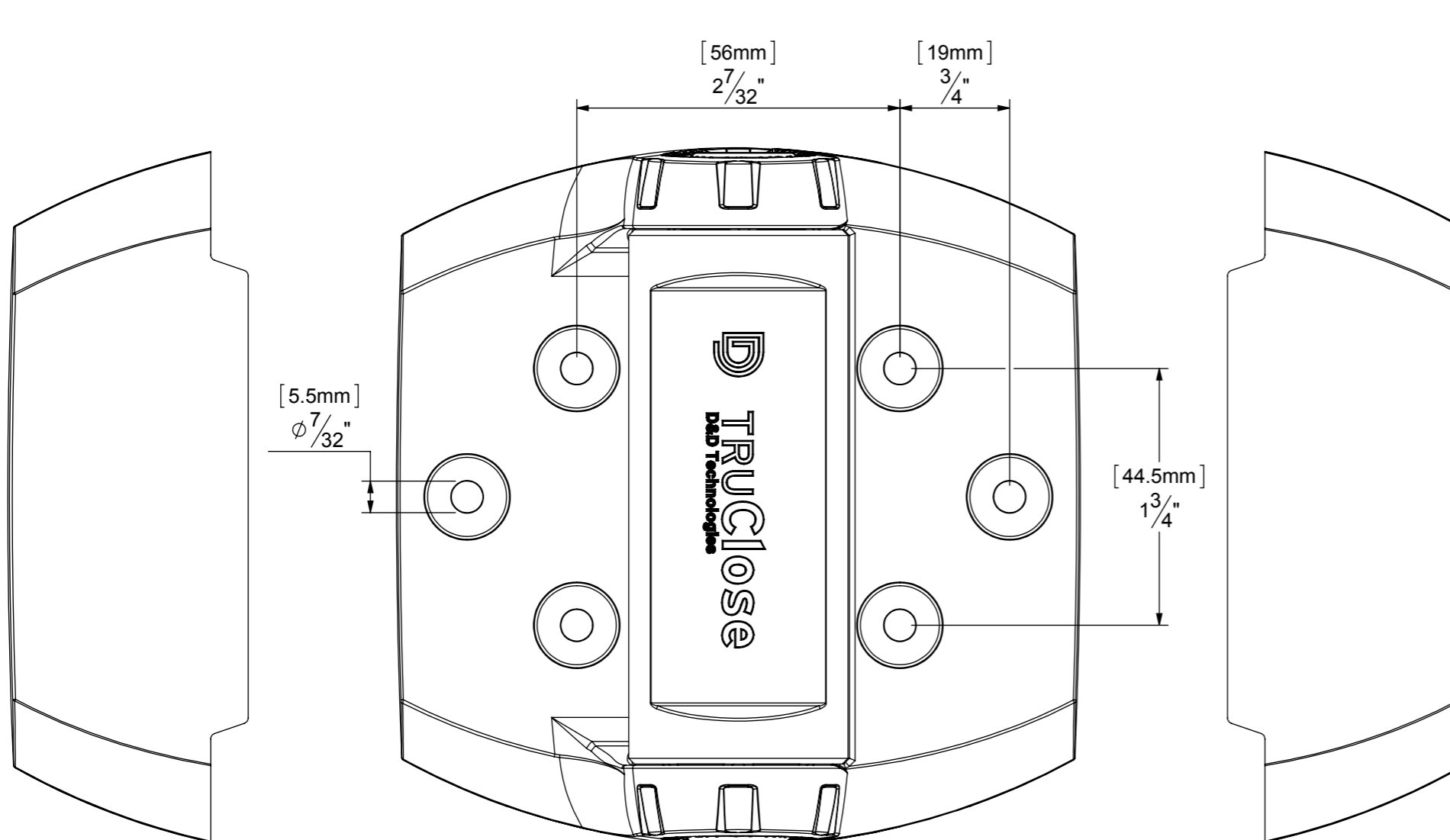
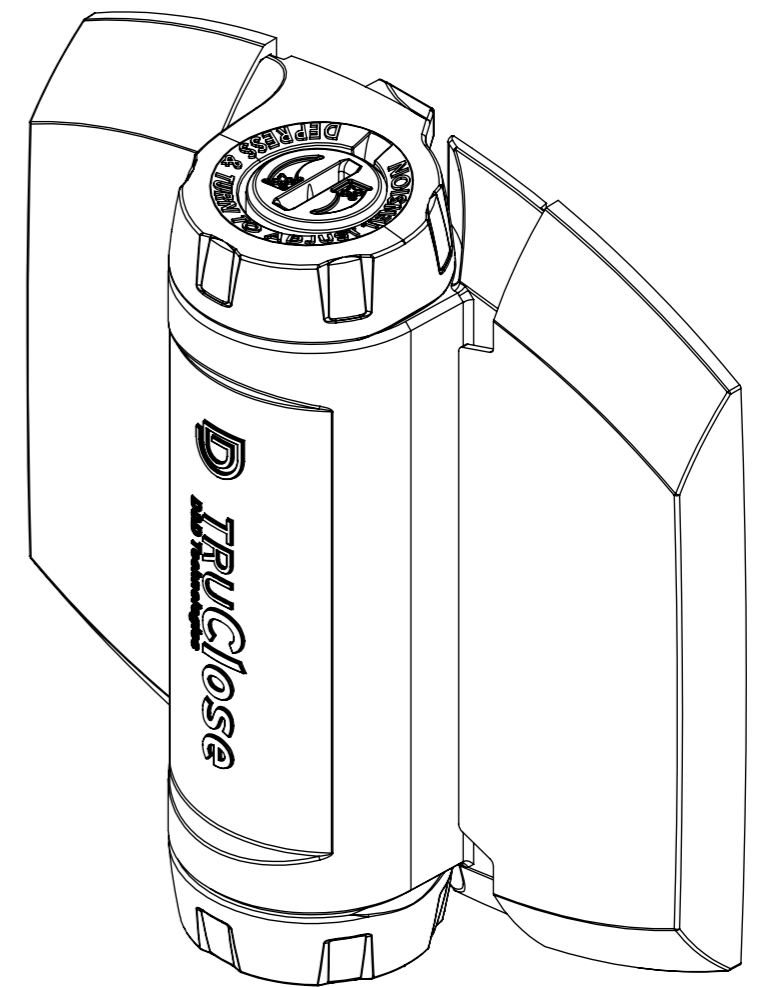
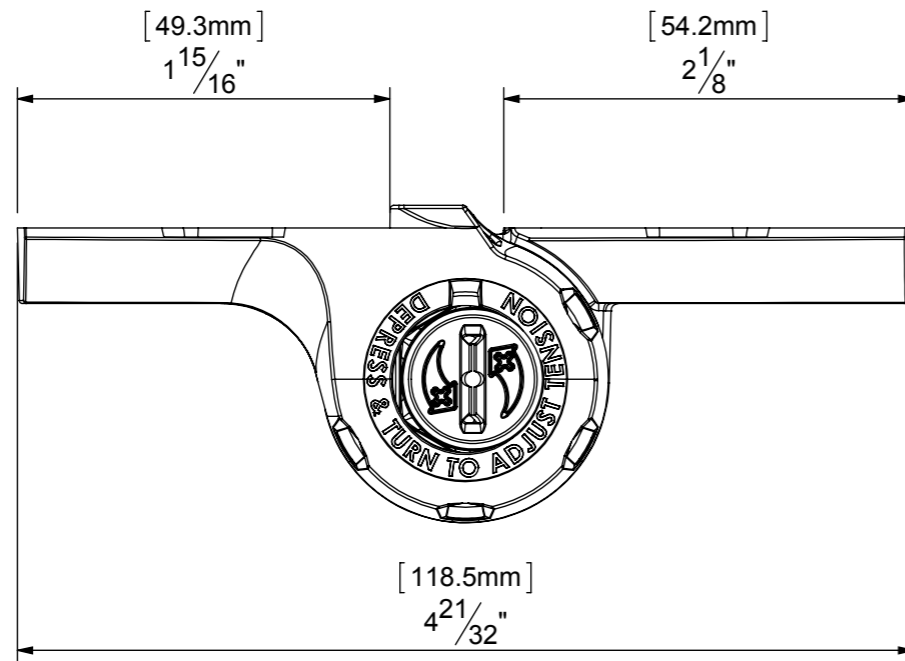
TRUCLOSE SERIES 3 - HEAVY DUTY - TWO LEGS - TCHD1AL2S3BT



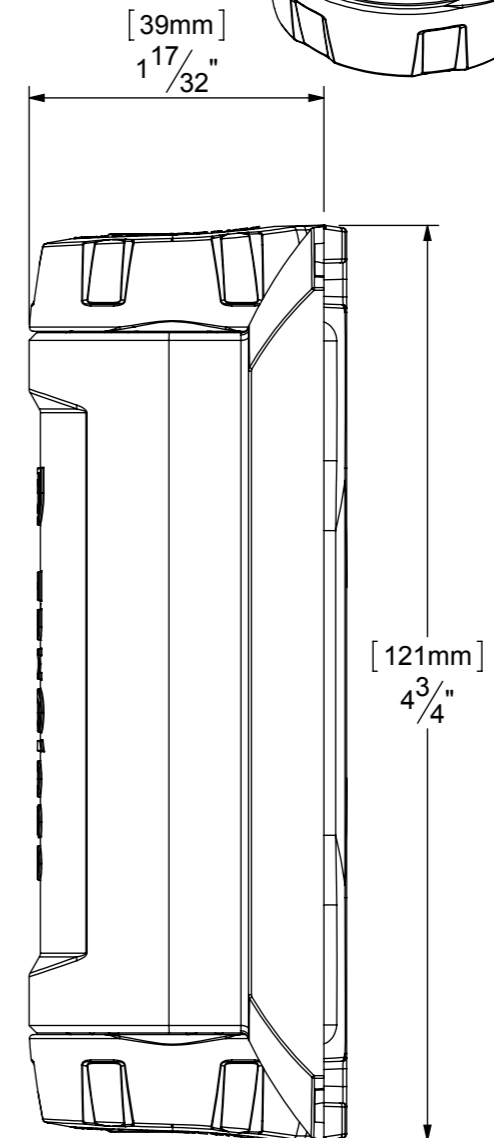
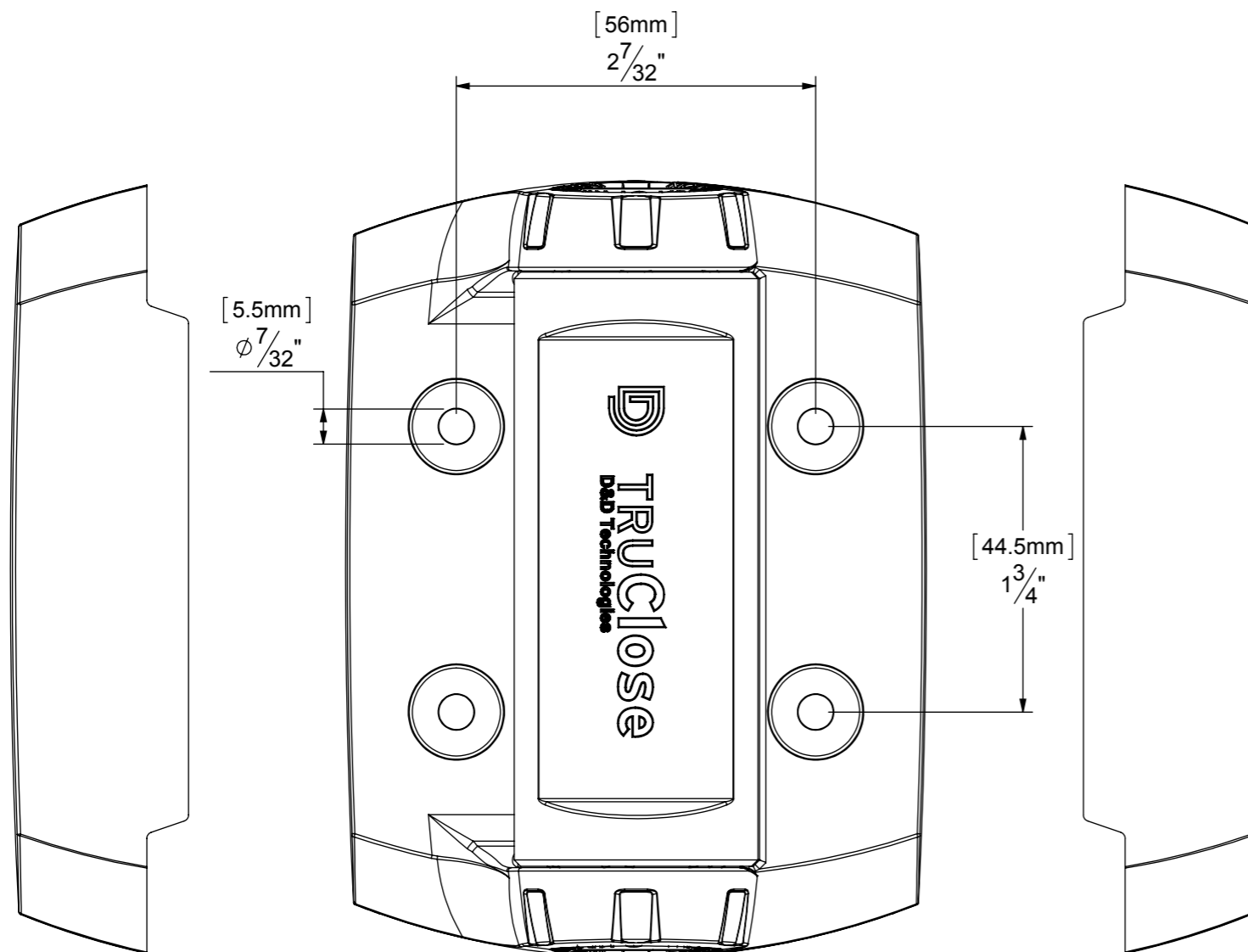
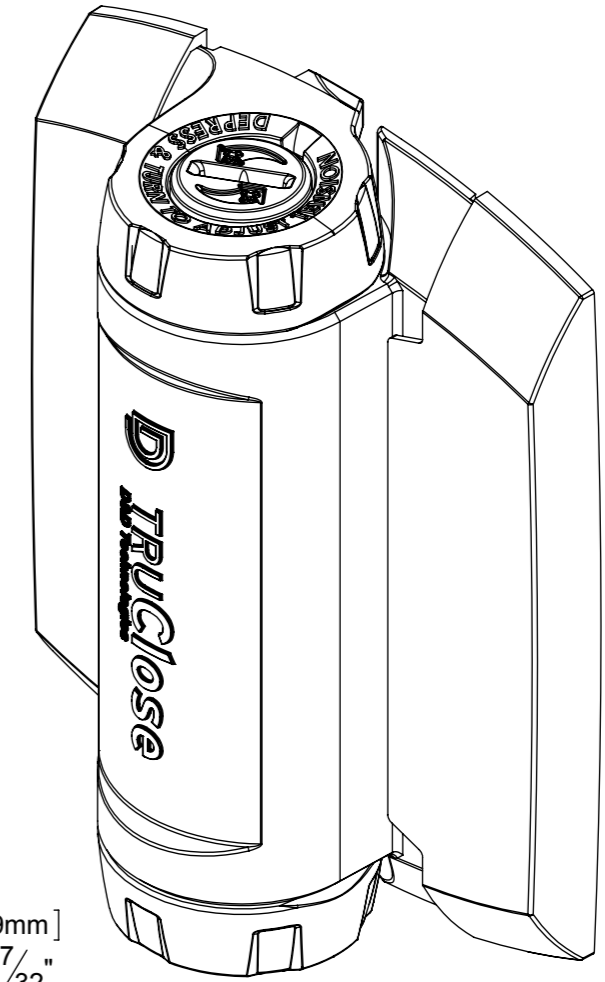
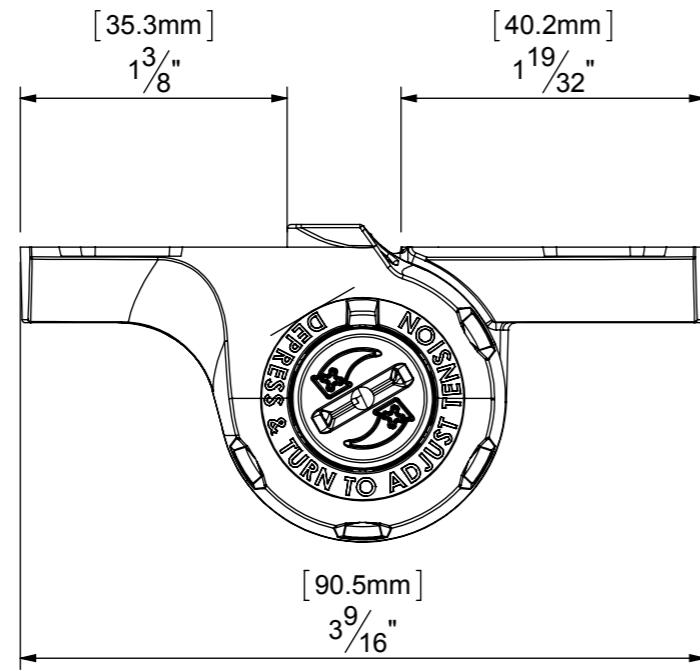
TRUCLOSE SERIES 3 - HEAVY DUTY - STANDARD - TCHD2S3BT



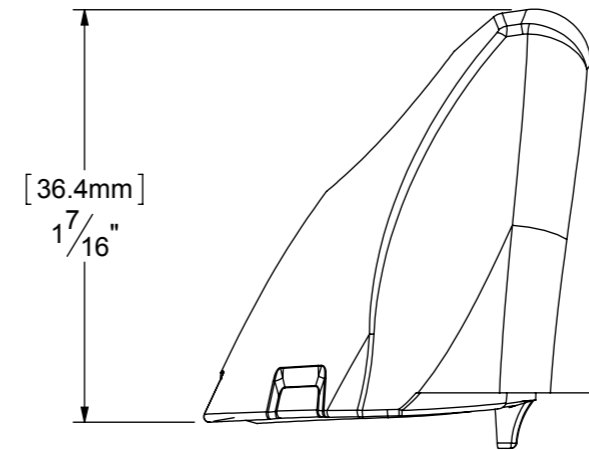
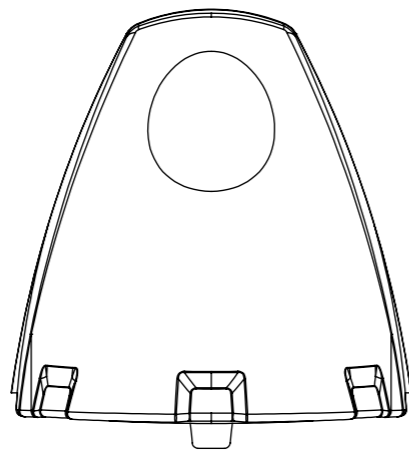
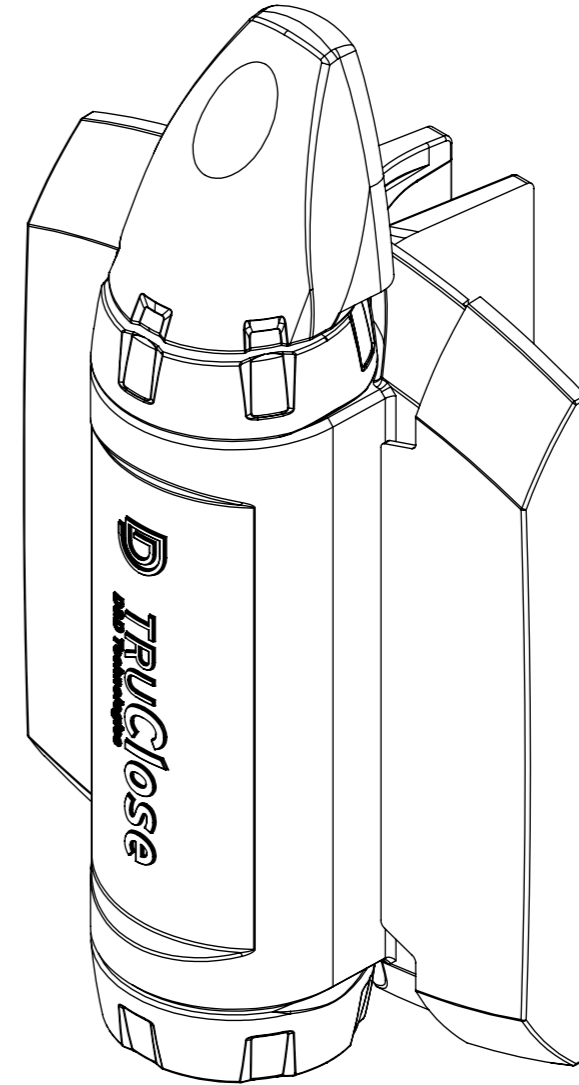
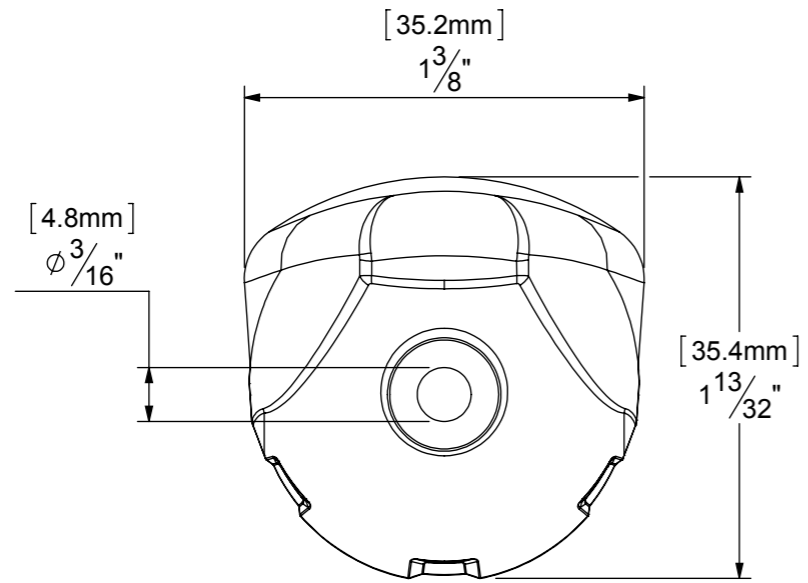
TRUCLOSE SERIES 3 - HEAVY DUTY - STANDARD - TCHD1S3BT



TRUCLOSE SERIES 3 - HEAVY DUTY - STANDARD - TCHD1AS3BT



TRUCLOSE SERIES 3 - HEAVY DUTY - SAFETY CAP - TCHDCAPS3



TRUCLOSE SERIES 3 - HEAVY DUTY - ONE LEG-SLOTTED - TCHD2L1SS3BT

