



SUREClose® CONCEALFit

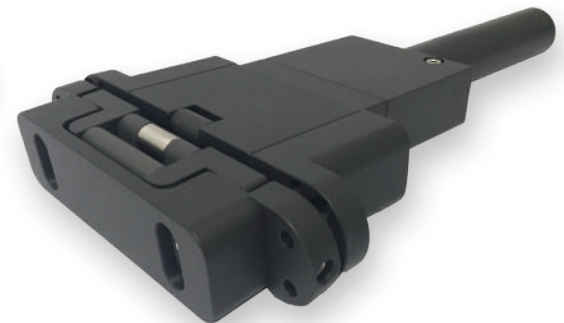


Concealed Door Closer & Hinge Set Provides Clean Look And High Security

ALL-IN-ONE COMBINATION



Plain Pivot Hinge



Hinge-Closer Unit

Hydraulic Concealed Door Closer & Hinge Set

- Clean openings for an elegant, distinctive, and timeless look
- Concealed mechanisms provide unparalleled security
- Closer & hinge solution for bullet-resistant doors and safe room doors
- Adjustable closing speed, latching speed and backcheck
- 4 positional adjustments: lateral, vertical, depth and inclination to ensure perfect installation
- Independently tested to over 500,000 open/close cycles
- 20-minute UL10C and cUL10C fire rating
- Suitable for ADA use
- Can be used on both left and right-handed swinging doors
- Suitable for internal and external use

ONE PAIR, CLOSER+HINGE COMBINATION

Maximum Door Weight	220 lb (100kg)
Maximum Door Width	48" (1220mm)
Maximum Opening Angle	Approx. 125°
Final Snap-Close Action	12° - 0°



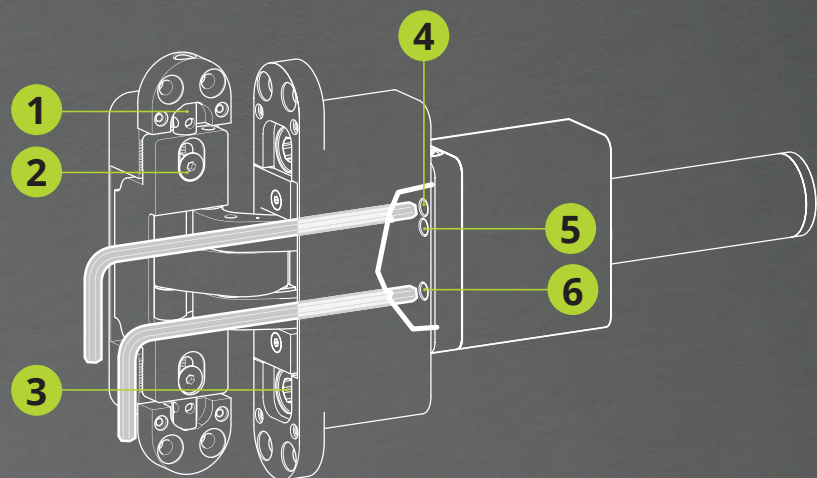
D&D Technologies

World's most trusted gate hardware

Stylish, concealed solution for self-closing residential & commercial doors

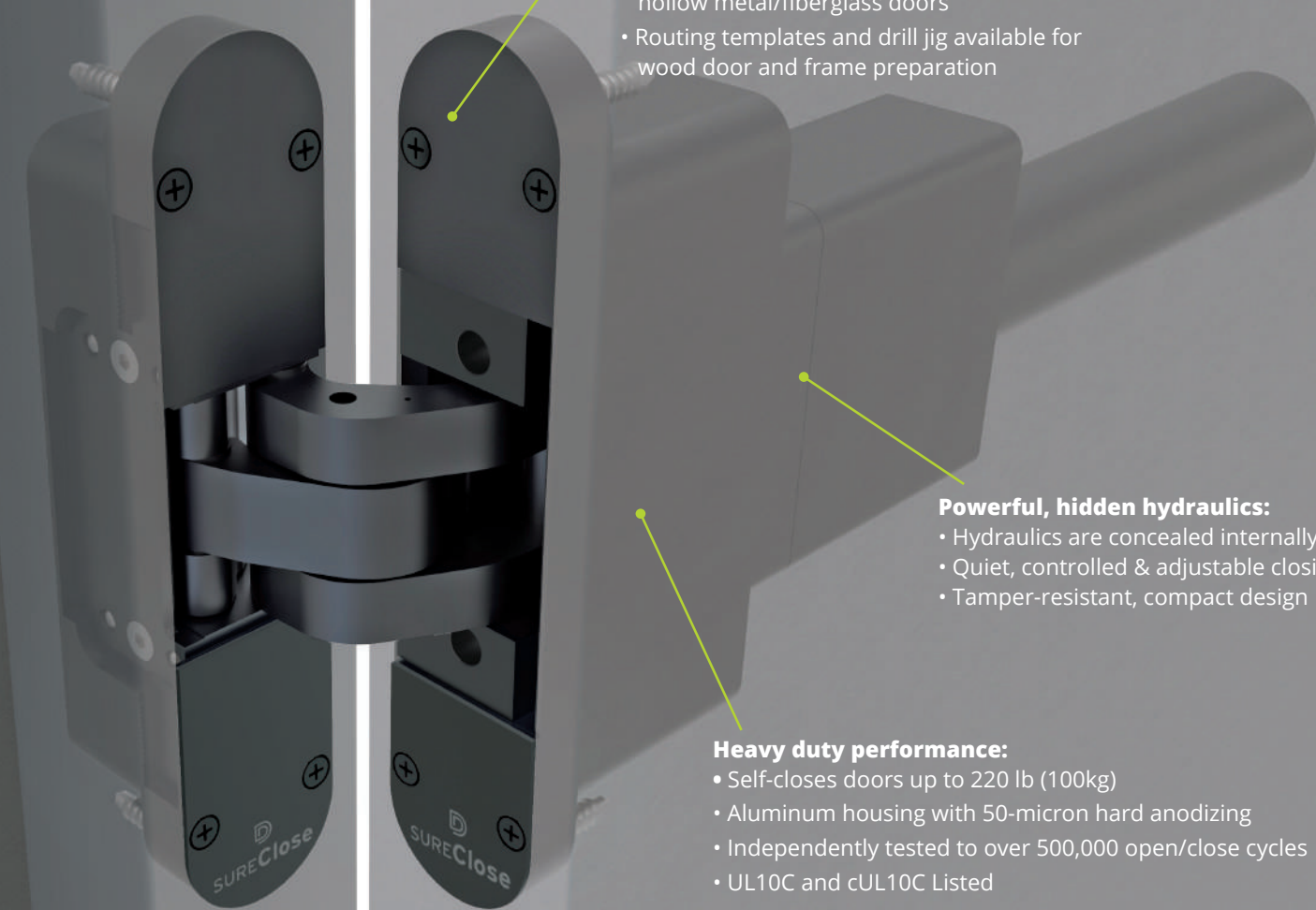


● **Closer-Hinge Hydraulic Unit**



● **Plain Pivot Hinge**

REF	ADJUSTMENT	UNIT	RANGE
1	Vertical (door height)	Both	+/- 3/64" (2mm) with 3/64" (1mm) steps
2	Horizontal (lateral door movement)	Both	+/- 3/64" (1.25mm)
3	Depth and Inclination	Both	Door gap between frame and door is adjustable from 3/64" (2mm) – 1/4" (6mm)
4	Snap-Close Speed	Closer	Between 12° - 0°
5	Door Backchecks	Closer	Steps at 60°, 80°, 100° and 125°
6	Closing Speed	Closer	125° to 0°



Robust mounting system:

- Aluminum, screw-on mounting brackets
- Dress covers included
- Door reinforcement hardware available for hollow metal/fiberglass doors
- Routing templates and drill jig available for wood door and frame preparation

Powerful, hidden hydraulics:

- Hydraulics are concealed internally
- Quiet, controlled & adjustable closing
- Tamper-resistant, compact design

Heavy duty performance:

- Self-closes doors up to 220 lb (100kg)
- Aluminum housing with 50-micron hard anodizing
- Independently tested to over 500,000 open/close cycles
- UL10C and cUL10C Listed

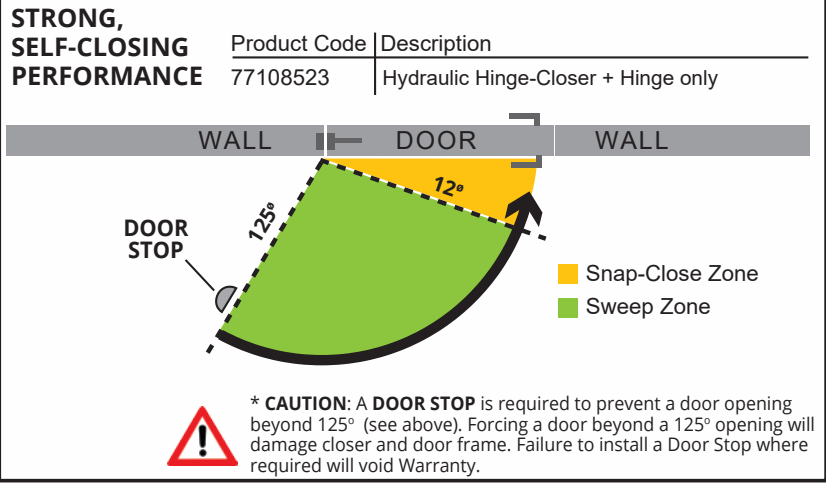
* Warranty conditions vary according to door application and usage. See full Warranty details and limitations on D&D Technologies' website.



Hinge-Closer Unit
77108523

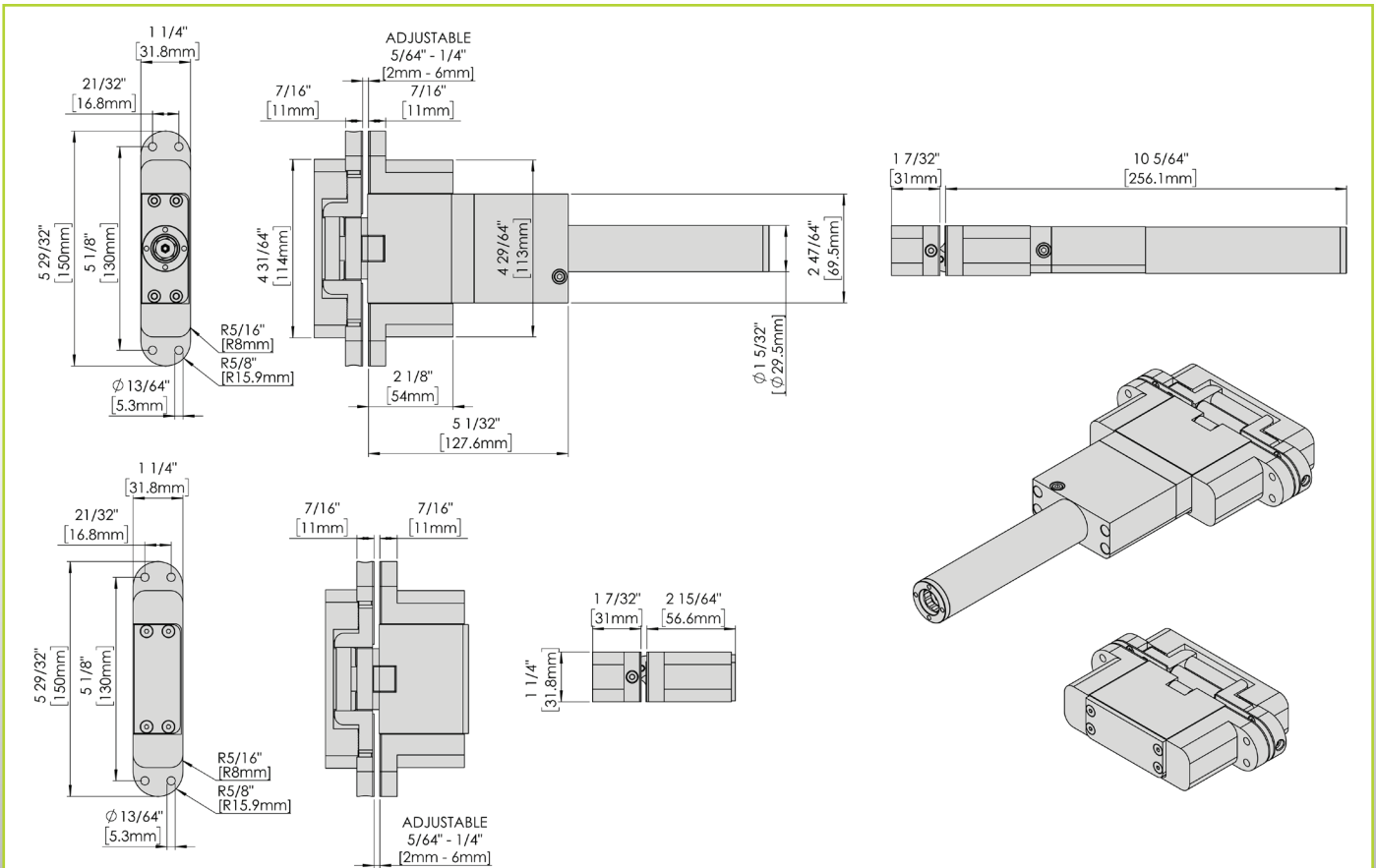


Plain Pivot Hinge
78108513



CODE	PRODUCT DESCRIPTION	TYPE	SELF-CLOSES	MAX ANGLE OPENING	ADJUSTABLE CLOSING SPEED	FINAL LATCHING ACTION	MINIMUM DOOR THICKNESS	MAXIMUM DOOR WIDTH	MAXIMUM DOOR WEIGHT*
77108523	SureClose® CONCEALFIT Kit (Hinge-Closer + Hinge only)	Hinge-Closer + Hinge	125° - 0°	125°	Yes	Yes (12° - 0)	1 3/4" (40mm)	48" (1220mm)	220 lb (100kg)
78108513	Hinge (single unit)	Hinge	n/a	125°	n/a	n/a	1 3/4" (40mm)	48" (1220mm)	220 lb (100kg)

*Irrespective of the number of hinges, closers, or combination thereof



www.ddtech.com

17531 Metzler Lane, Huntington Beach, CA 92647
Tel: (800) 716-0888 or (714) 677-1300
E-mail: info@ddtechusa.com