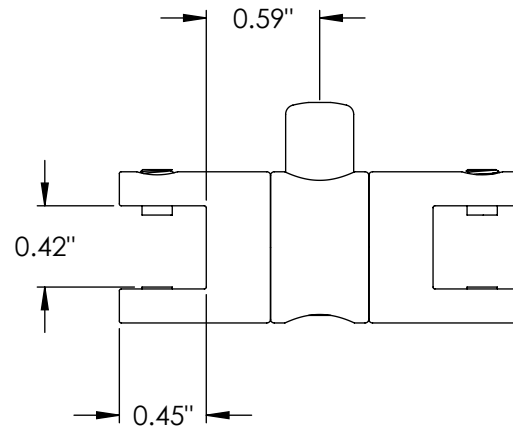
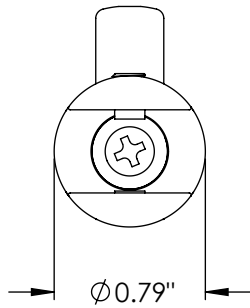
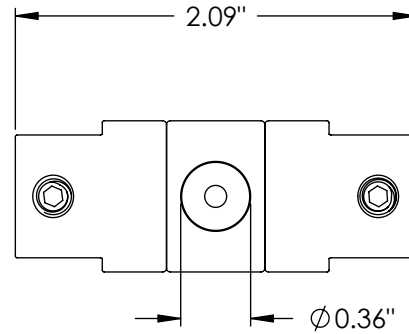


REVISION BLOCK		
REV	DESCRIPTION	DATE

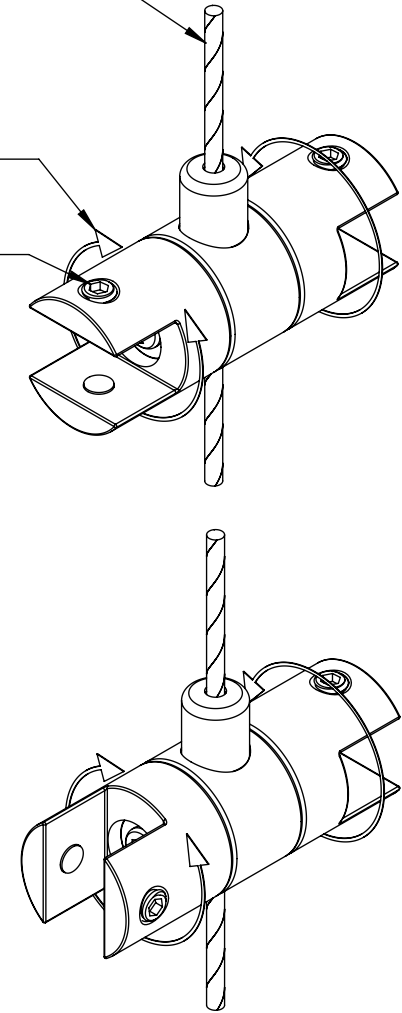


2 x 10-32 Nylon Tipped Set Screw Included

5/64" & 3/32" Cable

Rotates 360°

10-32 SET SCREW LENGTH	QTY.
0.23"	1
0.42"	1



Unless otherwise specified
 1. Dimensions are in millimeters
 2. Tolerances are:
 - All Dimensions ±.125 Angles 1°
 3. Break all edges .125 min
 4. Finish 1.6 micro millimeters
 5. Dimensions apply after finish
 6. Concentricity = .6 TIR

DRAWN BY RDK REV INT
 CHECKED BY

PROPRIETARY AND CONFIDENTIAL
 This drawing and these specifications are the exclusive property of GRIPLOCK SYSTEMS INC. and shall not be divulged, reproduced, copied, or used as the basis for the manufacture or sale of apparatus without the express written authorization of GRIPLOCK SYSTEMS INC.

REF: DATE: 03/30/06
 MATERIAL: Satin Chromium Plated Brass
 SCALE: 1:1 FILE: DG-25-SCUX2-SAT c



GRIPLOCK SYSTEMS
 410 Palm Ave. Loft A18, Carpinteria, CA93013
 Phone (805) 566-0064 Fax (805) 566-0065

PART NUMBER: DG-25-SCUX2-SAT
 DESCRIPTION: Double Sided Universal
 Glider Clamp