

# Series 6200 Installation Guide for 3/16" Cable Invisiware® Receivers with Pull-Lock™ Fittings

## Materials/tools required \_\_\_\_\_

- \* **Cable Gripping Pliers** — (50TCG1)  
Used to grip the cable while tensioning the end fittings without damaging the cable.  
[ OPTION: Use a piece of rubber hose with vice grips around the cable to prevent scarring.]
- \* **Cable Cutter 3/16"** — (82T13)
- \* **3/16" Hex Allen Key**
- \* **Drill**
- \* **Drill Bits:**
  - **29/64"**
  - **7/32"** (if there are intermediate posts between the terminating end posts or where the length of the receiver or Pull-Lock™ fitting you are using is less than the thickness of the end post)
  - **15/16"** (if you wish to counterbore the wood end post to recess the 11HW14 washer)
- \* **Cut Off Wheel Kit** — (11TCUTKIT)



## Drill posts \_\_\_\_\_

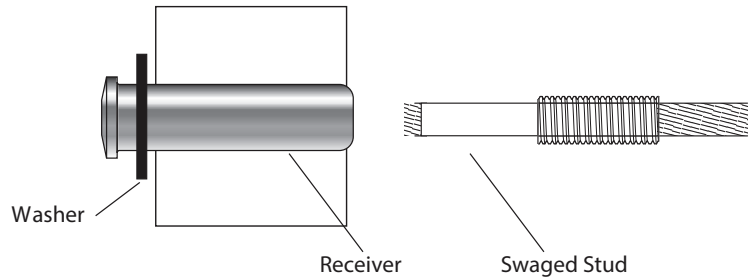
**Terminating (end) post for Invisiware® receivers** — Drill a 29/64" hole from the back side of the end posts where each cable will be installed. For a 1-1/2" or less square end post using a 1-1/2" long receiver, a 2" end post using a 2" long receiver, or a standard 4x4 using a 3-1/2" long receiver, drill the hole completely through the post. For posts thicker than the length of the receiver, drill a 7/32" pilot hole completely through the post, then drill a 29/64" hole only through the back surface of the end post (in the case of a wood post, to a depth a little greater than the length of the receiver) but not completely through the post.

**Terminating (end) post for Pull-Lock™ fittings** — Drill a 29/64" hole from the back side of the end posts where each cable will be installed. For a 2" or less square end post, drill the hole completely through the post. For posts greater than 2" thick, drill a 7/32" pilot hole completely through the post, then drill a 29/64" hole only through the back surface of the end post (in the case of a wood post, to a depth a little greater than the length of the Pull-Lock™ fitting) but not completely through the post.

**Intermediate post or other element through which the cable will pass between the end posts** — Drill 7/32" diameter holes lined up with the holes in the end post through which the cable will pass between end posts.

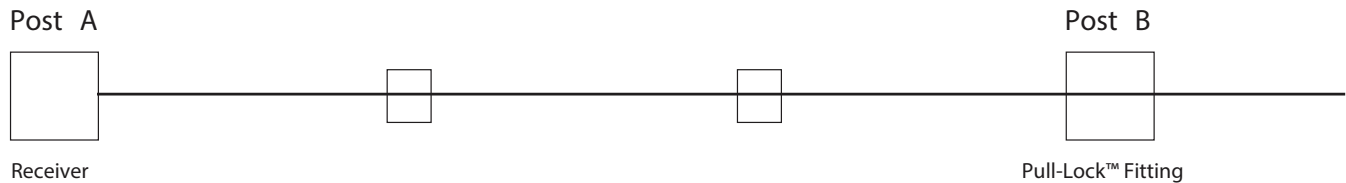
## Install Invisiware® Receivers

1. Slide the washer (black plastic for metal posts, 11HW14 stainless steel for wood posts) over the body of the receiver, then feed the receiver through the hole in the back of the post.
2. By hand, screw the receiver body onto the swaged stud at least 6 full turns. Do not tension the cables at this point.



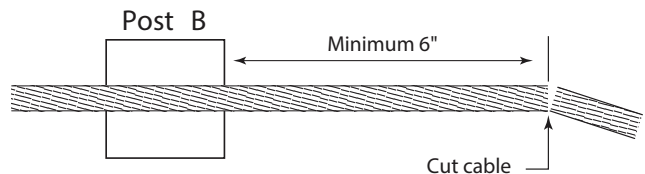
**String the cable through the holes drilled in your intermediate posts (or other elements through which the cable passes between end posts) and through the end post where you will be installing the Pull-Lock™ fitting.**

See illustration below — Post A is the end post to which the receiver is attached; Post B is the end post to which the Pull-Lock™ fitting is to be attached.

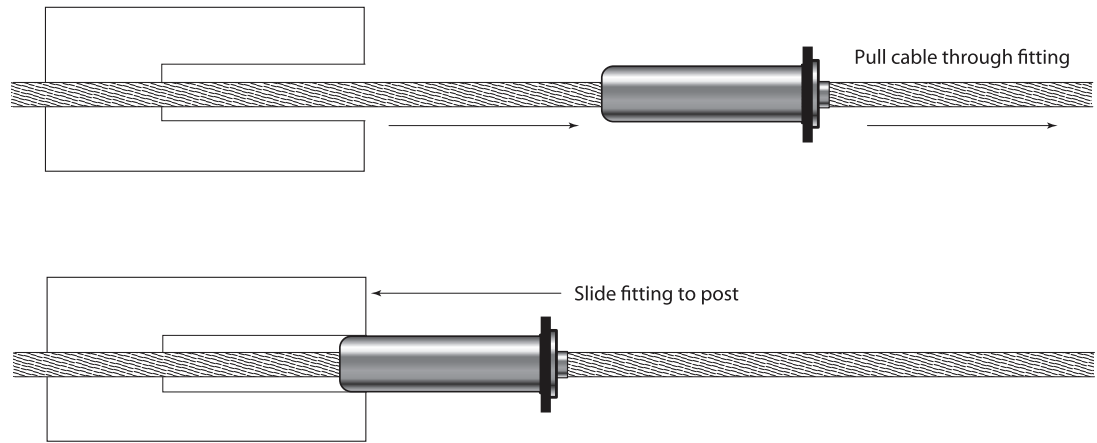


## Install Pull-Lock™ fittings

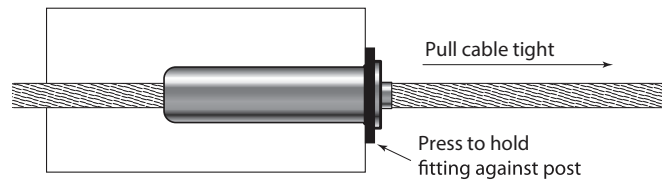
1. With the cable strung through the end post, cut the cable with a cable cutter (82T13), leaving enough cable extending out the back side of the post to be able to grasp the cable firmly with your hand (6" or more).
2. Slide the washer (black plastic for metal posts, 11HW14 stainless steel for wood posts) over the body of the Pull-Lock™ fitting.



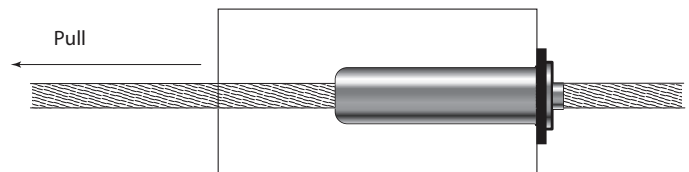
- Push the cable into the hole in the front of the Pull-Lock™ fitting, and pull the cable through the fitting. Twist the cable in the right-hand direction (with the lay of the cable) as you push it through the fitting. Then slide the fitting along the cable and up to the back side of the post.



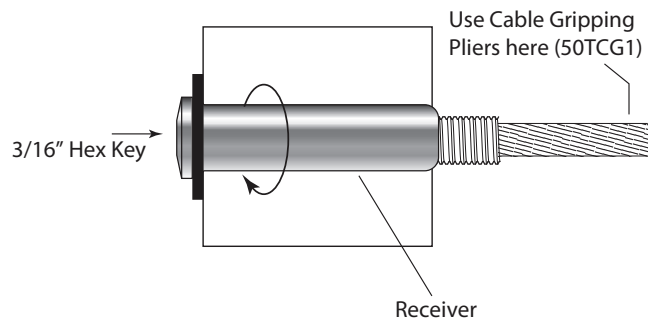
- Hold the cable with one hand and slide the Pull-Lock™ fitting into the hole in the post. Press the back of the fitting to hold it securely in the post and pull the cable through the fitting until it is as tight as you can make it.



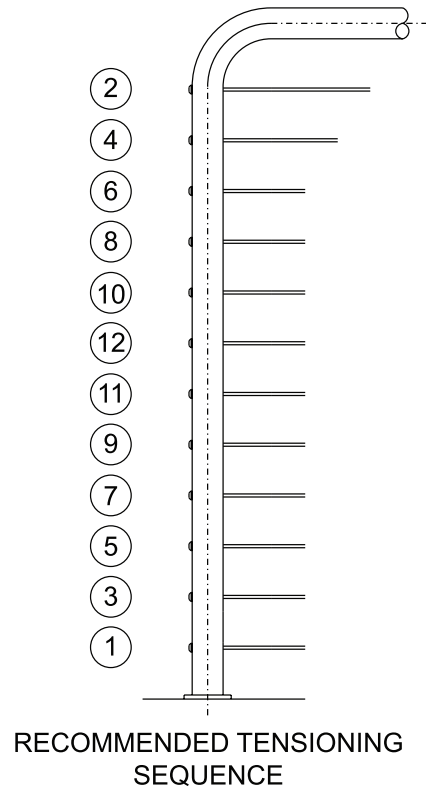
- Pull the cable to set the gripping action of the Pull-Lock™ fitting.



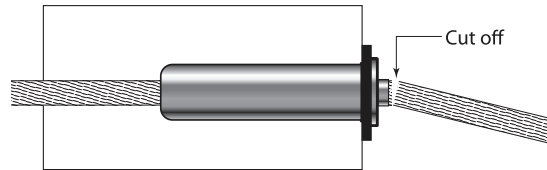
- Tension the cables. After all the cables have been installed in both end posts, tension the cables with the receivers on the other end to approximately 150 lbs. per cable by holding the cable with cable gripping pliers (50TCG1) closely behind the stud. Turn the receiver clockwise with a 3/16" hex key as illustrated at right.



Tension in sequence,  
beginning with the  
outside cables and  
moving from side to  
side toward the centre



7. Cut the cable flush with the hole in the back of the Pull-Lock™ fitting, using a cut-off wheel (11TCUTKIT).



8. Press the cap onto the lip of the Pull-Lock™ fitting.

