



SUREClose® CONCEALFit

NEW

Concealed Gate Closer & Hinge Set Provides High Security and Superior Performance



Plain Pivot Hinge

Hinge-Closer Unit

Hydraulic Concealed Gate Closer & Hinge Set - All-In-One Combination

- Concealed mechanisms provide unparalleled security
- No exposed parts for use as a climbing foothold
- Gate gap as low as 5/64" (2mm)
- Secure, safe and quiet operation
- Independently tested to over 500,000 open/close cycles
- Easily accessed adjustable closing speed, latching speed and backcheck
- 4 positional adjustments: lateral, vertical, depth and inclination to ensure perfect installation
- Easily installed internally within the gate and post
- Self-closes heavy-duty gates up to 220 lb (100kg)
- Suitable for ADA use

ONE PAIR: HINGE CLOSER+HINGE COMBINATION

Maximum Gate Weight	220 lb (100kg)
Maximum Gate Width	48" (1220mm)
Maximum Opening Angle	Approx 125°
Final Snap-Close Latching	12° - 0°



D&D Technologies

World's most trusted gate hardware

Concealed, high-end look combined with minimal gate gap and no exposed parts for high security

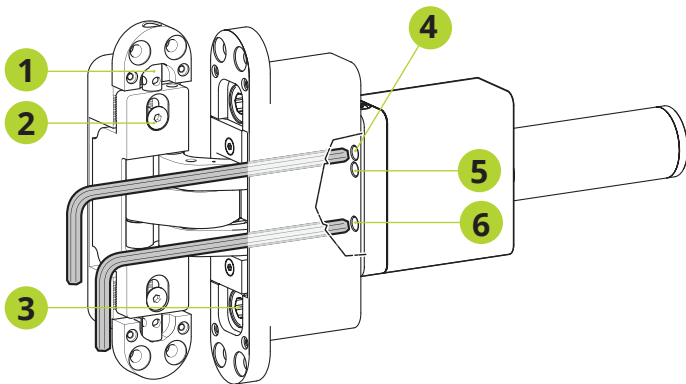
Weld Box available in Aluminum or Steel

A Post-side Box for closer & hinge			
Aluminum 7813		Steel 7823	
B Gate-side Box for hinge			
Aluminum 7812		Steel 7822	
C Gate-side Box for closer			
Aluminum 7811		Steel 7821	

CONCEALFIT Aluminum Weld Box Kit 77108551		CONCEALFIT Steel Weld Box Kit 77108552	
Kit Includes		Kit Includes	
QTY	Part No.	Qty	Part No.
1	7811	1	7821
1	7812	1	7822
2	7813	2	7823

*Gate boxes structural warranty is 5 years, surface finish warranty is 90 days.

Adjustment valves for precise installation



High Security
Gate gaps as low as $\frac{5}{64}$ " with no exposed parts for footholds

REF	ADJUSTMENT	UNIT	RANGE
1	Vertical (gate height)	Both	+/- $\frac{3}{64}$ " (2mm) with $\frac{3}{64}$ " (1mm) steps
2	Horizontal (lateral gate movement)	Both	+/- $\frac{3}{64}$ " (1.25mm)
3	Depth and Inclination	Both	Gate gap between post and gate is adjustable from $\frac{3}{64}$ " (2mm) - $\frac{1}{4}$ " (6mm)
4	Snap-Close Speed	Closer	Between 12° - 0°
5	Gate Backchecks	Closer	Steps at 60°, 80°, 100° and 125°
6	Closing Speed	Closer	125° to 0°

Robust mounting system

- Aluminum, screw-on mounting brackets
- Dress covers included
- Gate boxes available for aluminum and steel gates
- Routing templates and jig available for wood gate and frame preparation

Powerful, hidden hydraulics

- Hydraulics are concealed internally
- Quiet, controlled & adjustable closing
- Tamper resistant, compact design
- No need to add fluid, no maintenance.

Heavy-duty performance

- Self-closes gates up to 220 lb (100kg)
- Aluminum housing with 50-micron hard anodizing
- Independently tested to over 500,000 open/close cycles
- Limited 5-Year Warranty* (see over)



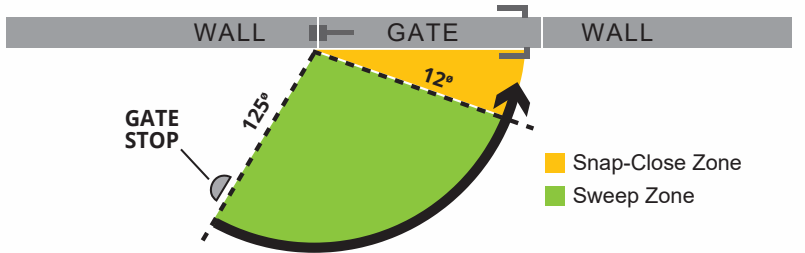
Hinge-Closer Unit
77108523



Plain Pivot Hinge
78108513

STRONG, SELF-CLOSING PERFORMANCE

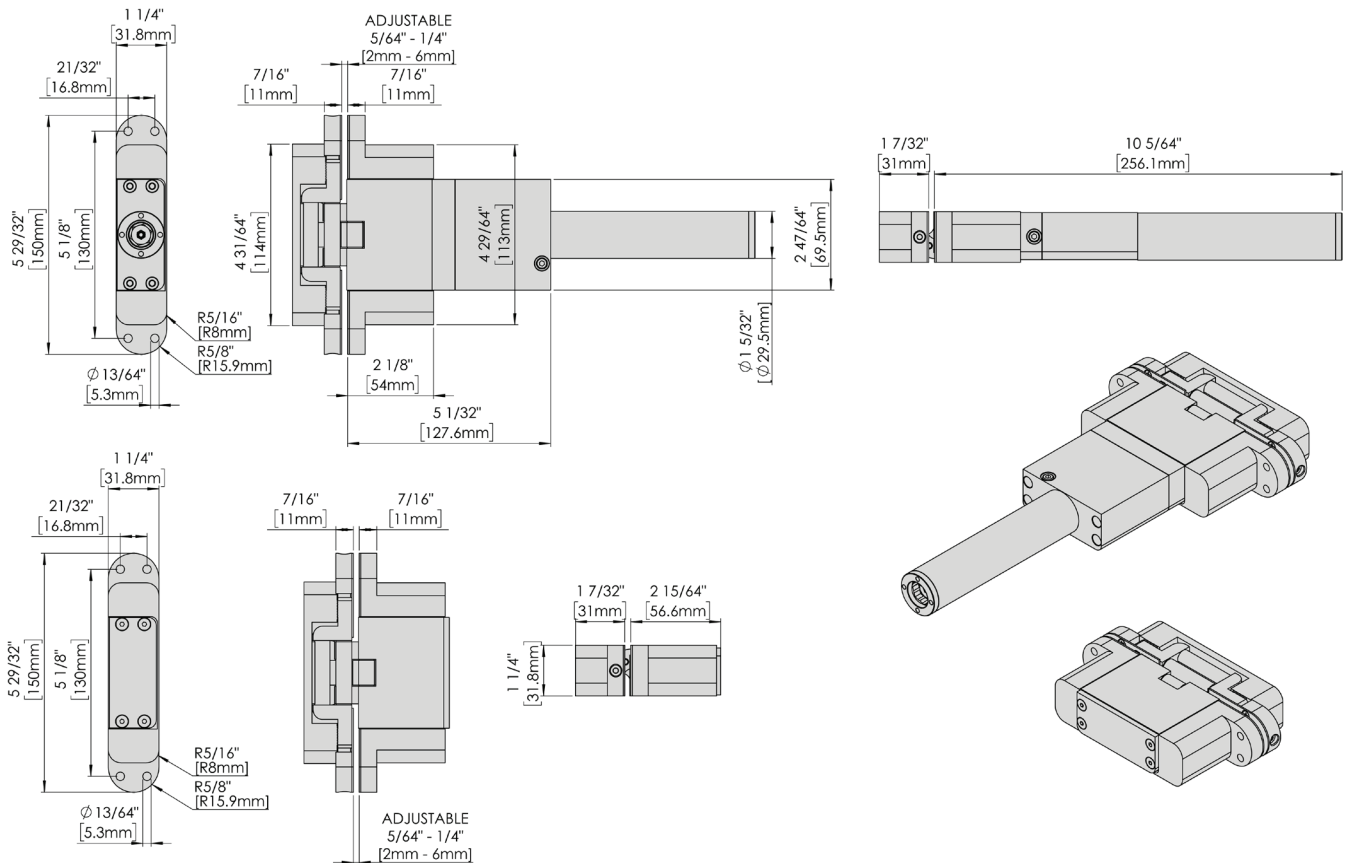
Product Code	Description
77108523	Hydraulic Hinge-Closer + Hinge only



* CAUTION: A GATE-STOP is required to prevent a gate opening beyond 125° (see above). Forcing a gate beyond a 125° opening will damage closer and gate frame. Failure to install a Gate-Stop where required will void Warranty.

CODE	PRODUCT DESCRIPTION	TYPE	SELF-CLOSES	MAX ANGLE OPENING	ADJUSTABLE CLOSING SPEED	FINAL LATCHING ACTION	MINIMUM GATE THICKNESS	MAXIMUM GATE WIDTH	MAXIMUM GATE WEIGHT*
77108523	SureClose® CONCEALFIT Kit (Hinge-Closer + Hinge only)	Hinge-Closer + Hinge	125° - 0°	125°	Yes	Yes (12° - 0)	1 3/4" (40mm)	48" (1220mm)	220 lb (100kg)
78108513	Hinge (single unit)	Hinge	n/a	125°	n/a	n/a	1 3/4" (40mm)	48" (1220mm)	220 lb (100kg)

*Irrespective of the number of hinges, closers, or combination thereof



www.datech.com

17531 Metzler Lane, Huntington Beach, CA 92647
Tel: (800) 716-0888 or (714) 677-1300
E-mail: info@ddtechusa.com